

NOTES :

1. THE PROPOSED PIAZZA WILL BE CONSTRUCTED MOSTLY ON GOVERNMENT LAND. WHERE THERE ARE INTERFACES WITH EXISTING PRIVATE LOTS, CEDD WILL SEEK PRIOR CONSENT FROM THE PARTIES CONCERNED BEFORE CARRYING OUT THE WORKS.

PROVISIONAL
SUBJECT TO AMENDMENTS

Project

sketch title
CONSTRUCTION OF A PIAZZA
FRONTING TIN HAU TEMPLE, KAT O -
DESIGN PLAN
興建吉澳天后宮廣場 -
設計方案 (SHEET 1 OF 3)

sketch no. K0-21

scale
1 : 500
OR
AS SHOWN
或圖示

office
LAND WORKS DIVISION
CIVIL ENGINEERING OFFICE

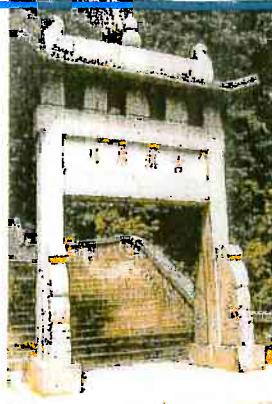
CEDD CIVIL ENGINEERING AND
DEVELOPMENT DEPARTMENT

COPYRIGHT RESERVED

H:\WG\PROGRAM\K0-21_prel\initial\ary_design.plm.dgn
 25/8/2006
 25/8/2006

OPTIONS FOR ENTRANCE LANDMARK

擬建廣場入口地標的方案



EXAMPLE OF PAVING WITH WAVY PATTERN

鋪設波浪圖案於石徑地舖的例子



EXAMPLE OF GRAVEL GROUND

鋪設碎石的例子



EXAMPLE OF PROPOSED SHELTER

擬建涼亭的例子



PROPOSED SEATING AROUND EXISTING TREE

擬建座椅在現有大樹下



NOTES :

**PROVISIONAL
SUBJECT TO AMENDMENTS**

project

sketch title
CONSTRUCTION OF A PIAZZA
FRONTING TIN HAU TEMPLE, KAT O -
DESIGN PLAN
興建吉澳天后宮廣場 -
設計方案 (SHEET 2 OF 3)

sketch no.

KO-22

scale

office

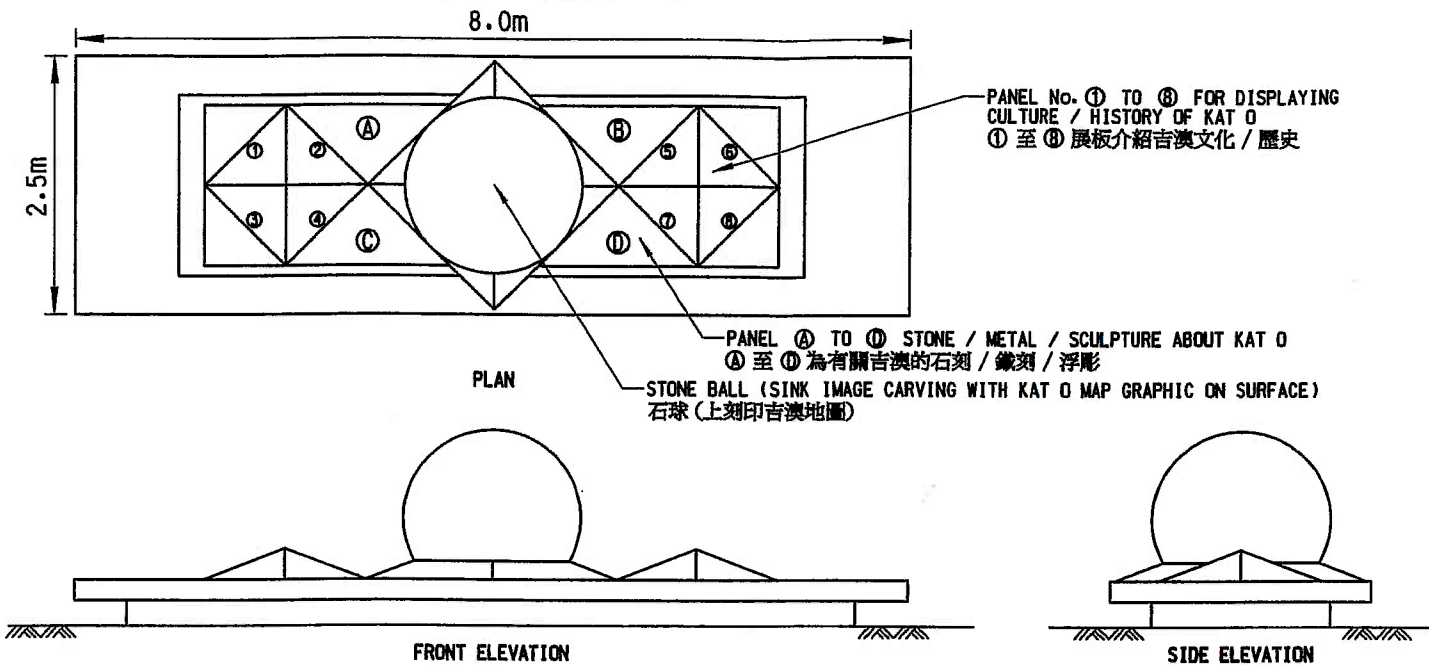
LAND WORKS DIVISION
CIVIL ENGINEERING OFFICE



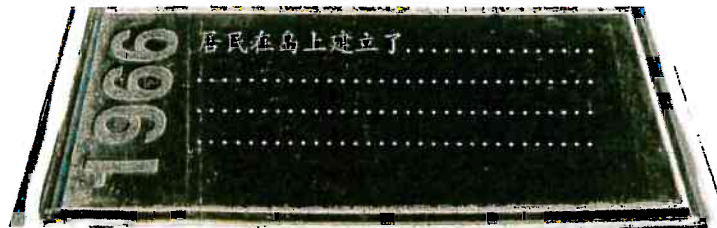
CIVIL ENGINEERING AND
DEVELOPMENT DEPARTMENT

COPYRIGHT RESERVED

SPECIAL FEATURE TO DISPLAY HISTORY / CULTURE ABOUT KAT O
特色建築物介紹吉澳歷史和文化



EXAMPLE PANEL FOR DISPLAYING HISTORY
介紹吉澳歷史板的例子



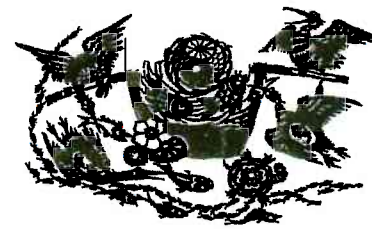
EXAMPLES OF STONE / METAL SCULPTURE
石刻或鐵刻的例子



OVERSEAS EXAMPLE FOR SIMILAR DISPLAY OF INFORMATION
外地類似資訊展示的例子



STONE SCULPTURES 石刻



METAL SCULPTURE 鐵刻

COPYRIGHT RESERVED

NOTES :

PROVISIONAL
SUBJECT TO AMENDMENTS

project

sketch title
CONSTRUCTION OF A PIAZZA
FRONTING TIN HAU TEMPLE, KAT O -
DESIGN PLAN
興建吉澳天后宮廣場 -
設計方案 (SHEET 3 OF 3)

sketch no.

KO-23

scale

1 : 50

office

LAND WORKS DIVISION
CIVIL ENGINEERING OFFICE



CIVIL ENGINEERING AND
DEVELOPMENT DEPARTMENT