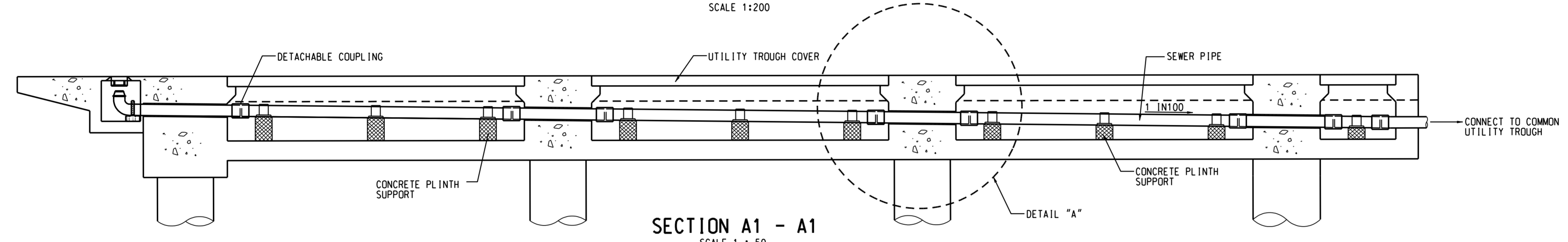
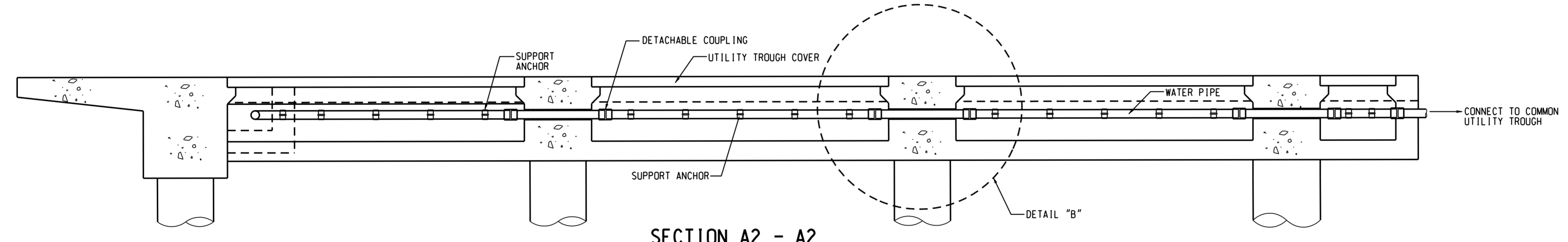


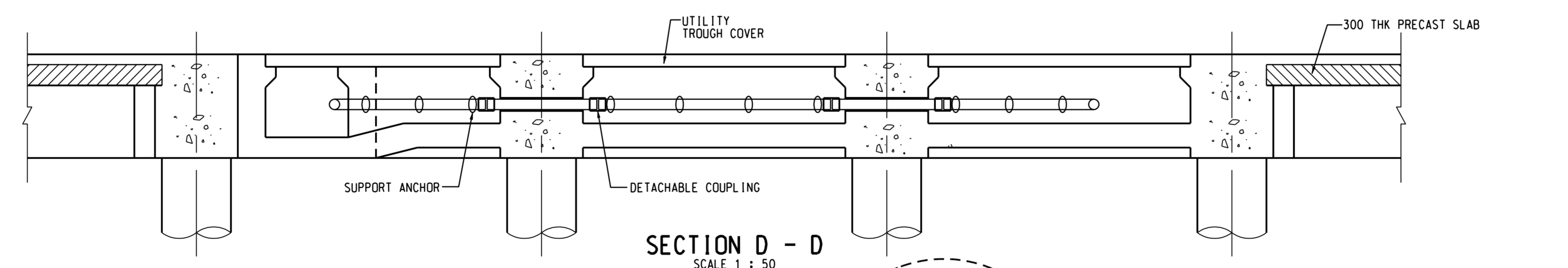
PLAN
SCALE 1:200



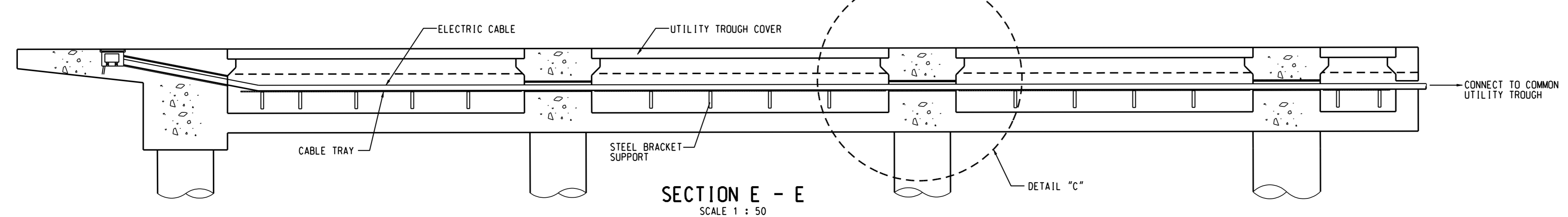
SECTION A1 - A1
SCALE 1:50



SECTION A2 - A2
SCALE 1:50



SECTION D - D
SCALE 1:50



SECTION E - E
SCALE 1:50

- NOTES:**
1. THIS DRAWING SHALL BE READ IN CONJUNCTION WITH DRG. NO. 442 AND 443.
 2. ALL DIMENSIONS ARE IN MILLIMETRES UNLESS SPECIFIED OTHERWISE.
 3. ALL UTILITY TROUGH COVERS SHALL BE NON-ROCKING HEAVY DUTY TYPE AND SHALL BE WATER TIGHT AND DOUBLE SEALED.

- LEGEND:**
- - - - - POWER SUPPLY CABLE FOR LIGHTING, ELECTRICAL SERVICES & MISCELLANEOUS APRON EQUIPMENT
 - - - - - POSSIBLE ON-SHORE POWER SUPPLY CABLE
 - - - - - WATER PIPE
 - - - - - SEWER PIPE
 - UTILITY TROUGH COVER
 - ⊗ ELECTRICITY CONNECTION PIT
 - WATER SUPPLY CONNECTION PIT
 - ⊗ POSSIBLE POWER FEEDER PIT FOR ON-SHORE POWER SUPPLY SYSTEM
 - ⊗ SHORE SEWAGE RECEPTION PIT

REV.	DESCRIPTION	BY	CHECKED	DATE

Civil Engineering and Development Department
KOWLOON DEVELOPMENT OFFICE



KAI TAK DEVELOPMENT
ENGINEERING STUDY CUM DESIGN AND
CONSTRUCTION OF ADVANCE WORKS - INVESTIGATION,
DESIGN AND CONSTRUCTION

SITE FORMATION CUM MARINE WORKS
EDGE STRUCTURES
**QUAY - TYPICAL UTILITY
TROUGH ARRANGEMENT**

MAUNSELL | AECOM
Maunsell Consultants Asia Ltd.
茂盛(亞洲)工程顧問有限公司

DRG. NO. 圖紙編號	441	
DESIGNED BY 設計	AGREEMENT NO. 合約編號	P. 01+ APPROVED 表東人
J.L.	CE35/2006 (CE)	
DRAWN BY 繪圖	STATUS 階段	
J.J.		
SCALE 比例	A1 AS SHOWN	
DIMENSIONS ARE IN 尺寸單位	MILLIMETRES	
© COPYRIGHT RESERVED 版權 所 有		