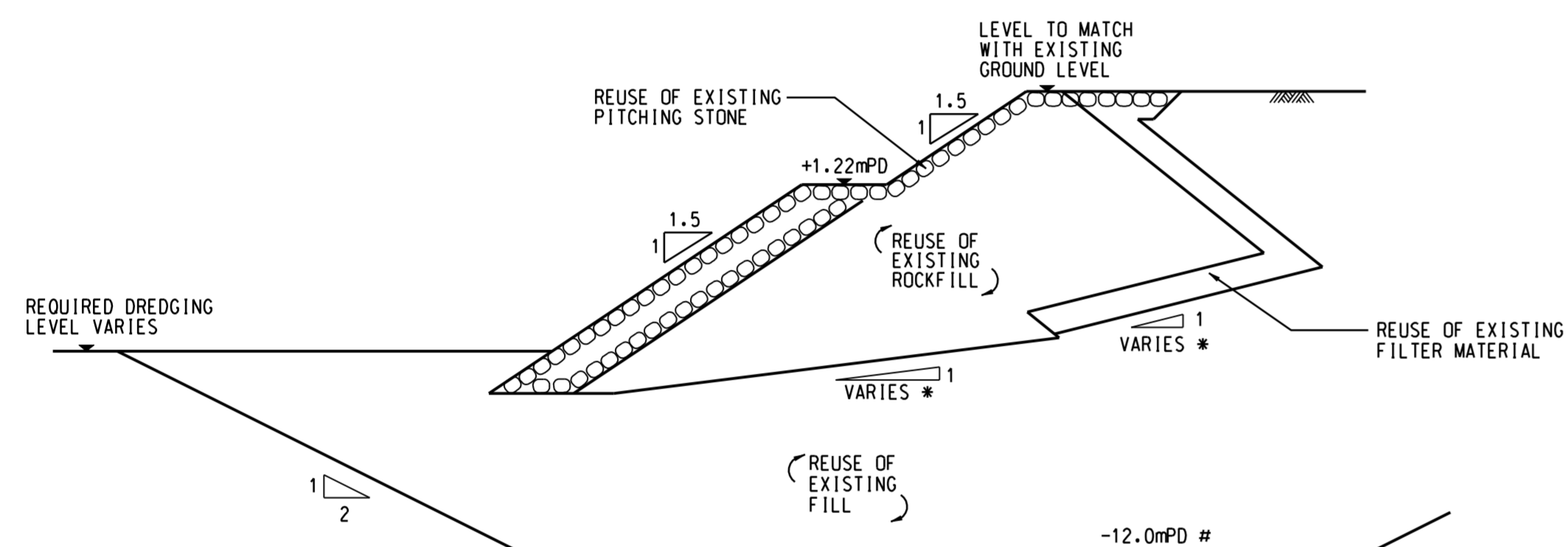
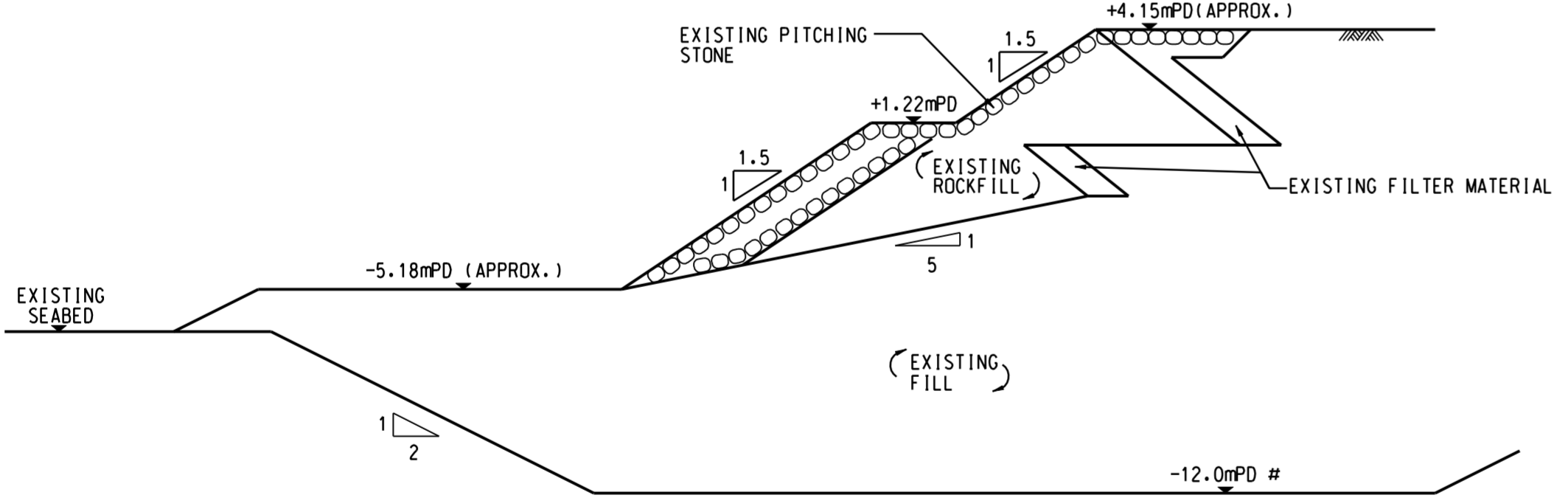


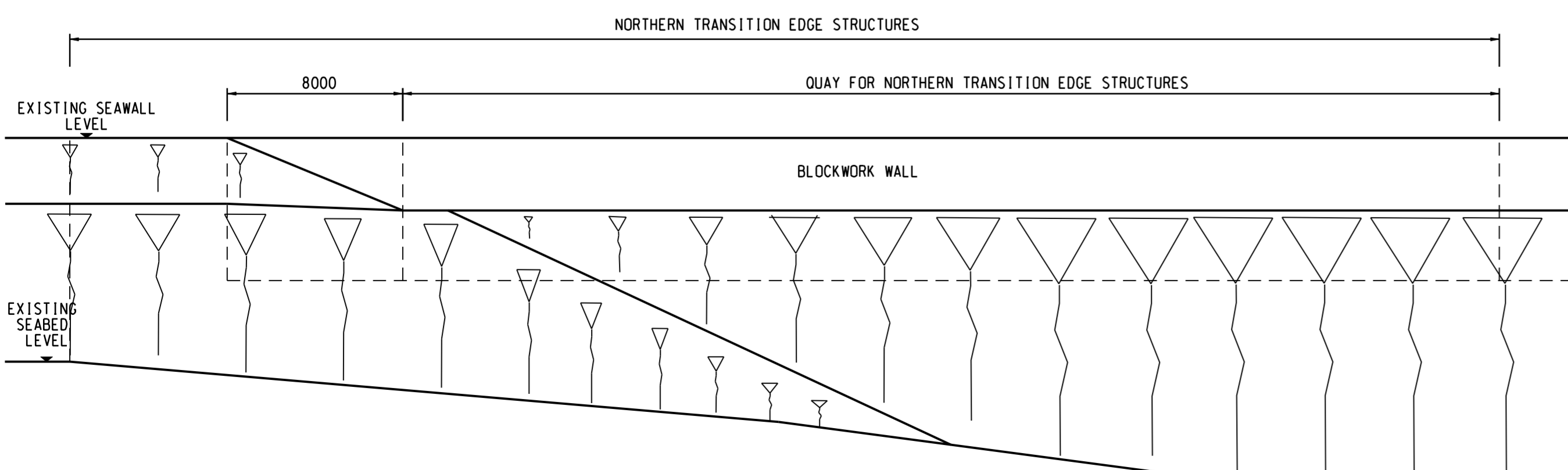
LAYOUT PLAN
(QUAY STRUCTURE NOT SHOWN FOR CLARITY)
SCALE 1 : 500



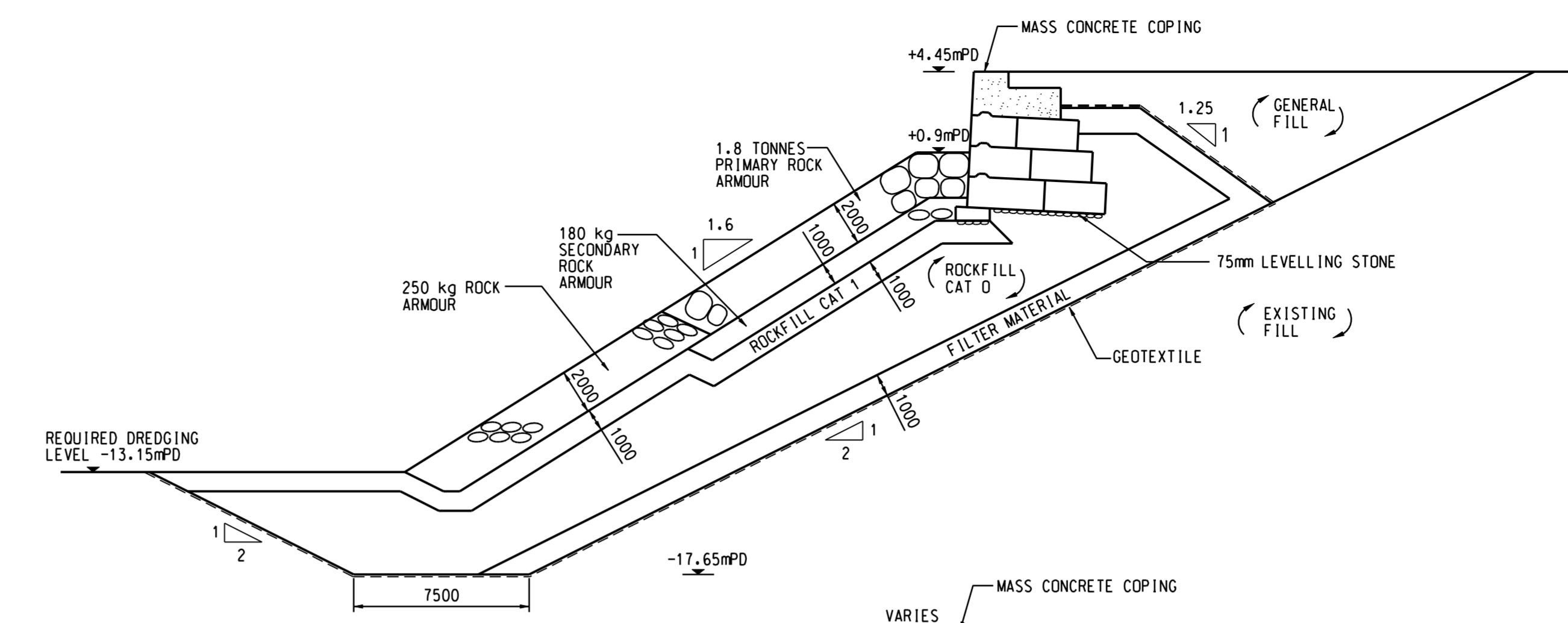
SECTION E - E
(* SLOPE VARIES ALONG TRANSITION TO MATCH SECTION F - F AND D - D)
SCALE 1:200



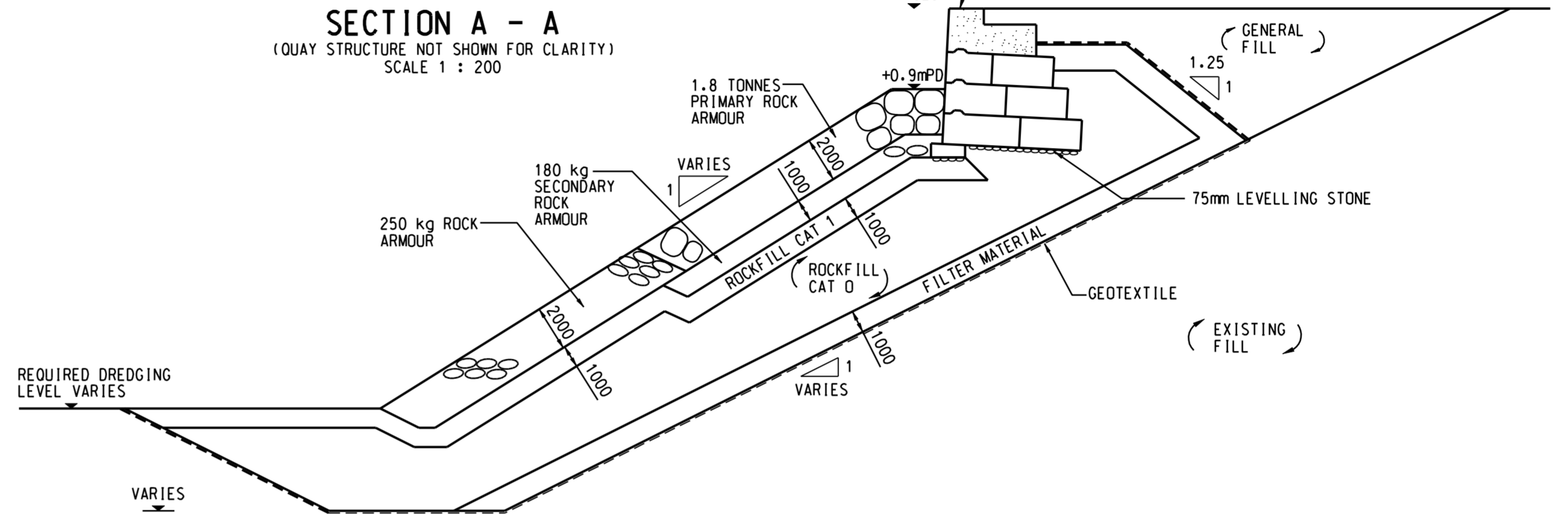
SECTION F - F
SCALE 1:200



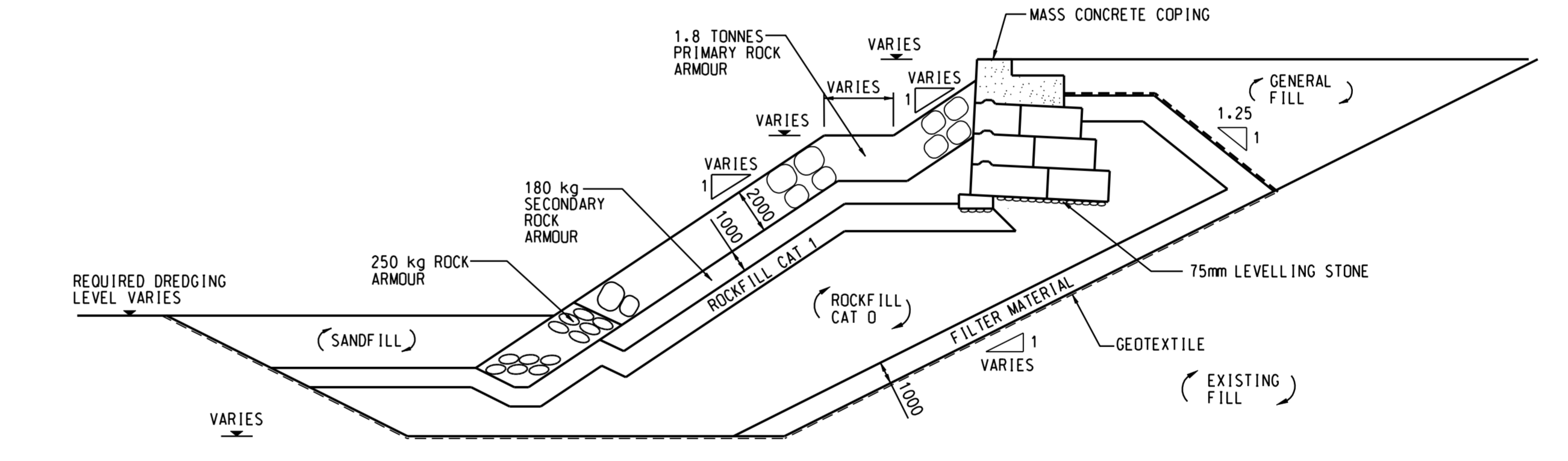
SECTION G - G
SCALE 1 : 200



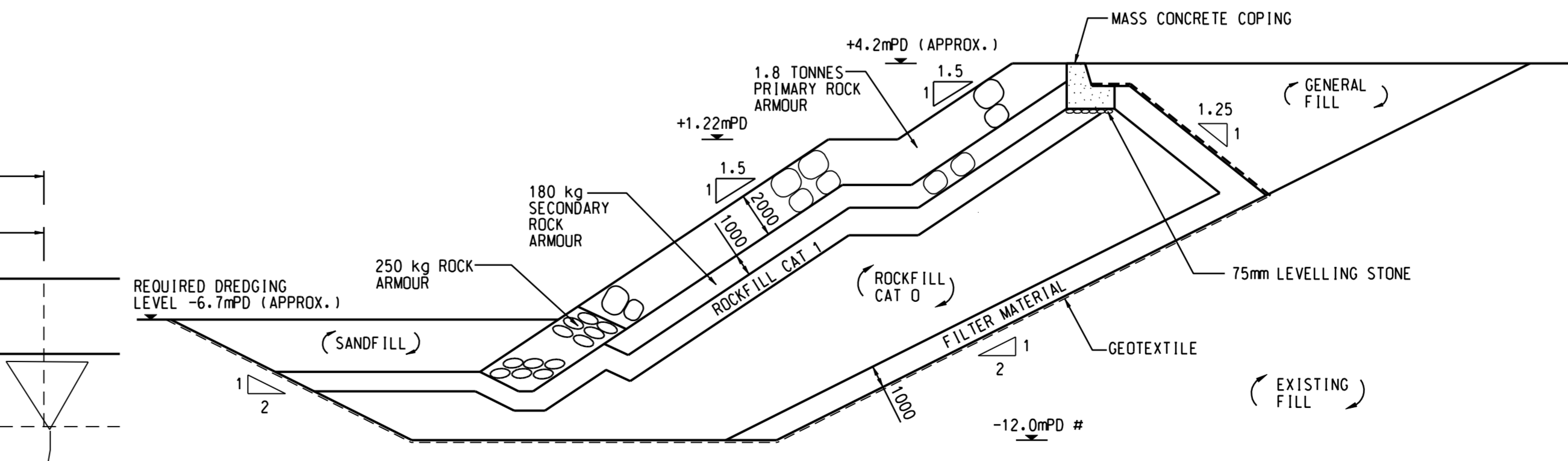
SECTION A - A
(QUAY STRUCTURE NOT SHOWN FOR CLARITY)
SCALE 1 : 200



SECTION B - B
(QUAY STRUCTURE NOT SHOWN FOR CLARITY)
SCALE 1:200



SECTION C - C
SCALE 1:200



SECTION D - D
SCALE 1:200

- NOTES:**
- THIS DRAWING SHALL BE READ IN CONJUNCTION WITH DRG. NO. 101, 542 AND 543.
 - ALL DIMENSIONS ARE IN MILLIMETRES UNLESS SPECIFIED OTHERWISE.
 - ALL LEVELS ARE IN METRES WITH REFERENCE TO PRINCIPAL DATUM.
 - FOR GRADING OF ROCKFILL REFER DRG. NO. 451.
 - FILTER MATERIAL TO BE GRANULAR IN NATURE WITH MAXIMUM PARTICLE SIZE OF 50mm AND GRADED TO SUIT THE GENERAL / EXISTING FILL AND ROCKFILL MATERIALS.
 - FOR BLOCKWORK WALL DETAILS REFER DRG. NO. 542 AND 543.
 - DETAILS OF EXISTING SEAWALL ARE BASED ON RECORD DRAWINGS AND ARE INDICATIVE ONLY.
 - DREDGE LEVELS MARKED # ARE INDICATIVE ONLY.

REV.	DESCRIPTION	BY	CHKD.	DATE

Civil Engineering and Development Department
 土木工程發展處
 KOWLOON DEVELOPMENT OFFICE
 九龍發展處
CEDD
 KAI TAK DEVELOPMENT
 ENGINEERING STUDY CUM DESIGN AND
 CONSTRUCTION OF ADVANCE WORKS - INVESTIGATION,
 DESIGN AND CONSTRUCTION
SITE FORMATION CUM MARINE WORKS
 NORTHERN TRANSITION EDGE STRUCTURES
SEAWALL - GENERAL LAYOUT

MAUNSELL AECOM	
Maunsell Consultants Asia Ltd. 茂盛(亞洲)工程顧問有限公司	
DRG. NO.	541
DESIGNED BY 設計	J.L.
AGREEMENT NO. 合約編號	CE35/2006 (CE)
P. 01+ APPROVED 表決人	
DRAWN BY 繪圖	T.H.
STATUS 階段	
SCALE 比例	A1 AS SHOWN
DIMENSIONS ARE IN 尺寸單位	MILLIMETRES
© COPYRIGHT RESERVED 版權所有	

Plot File by : 2007-10-24