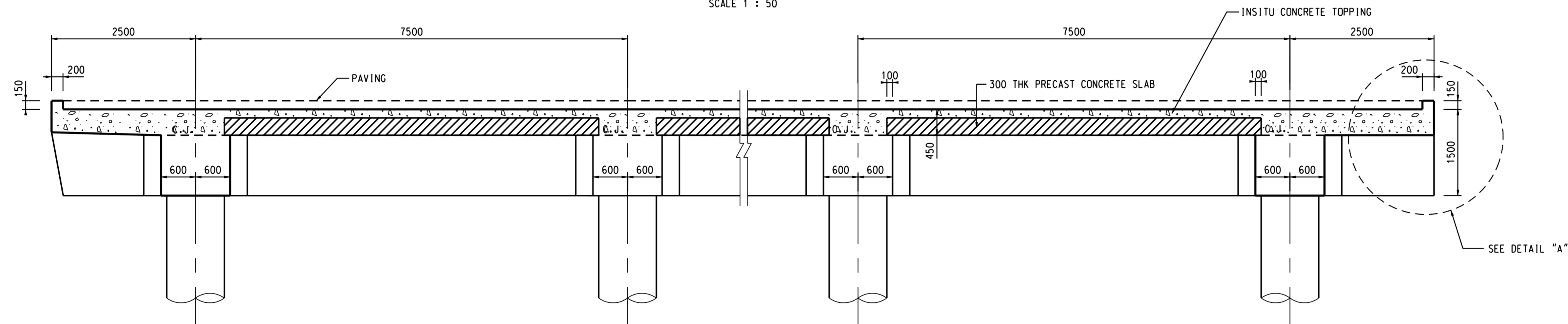
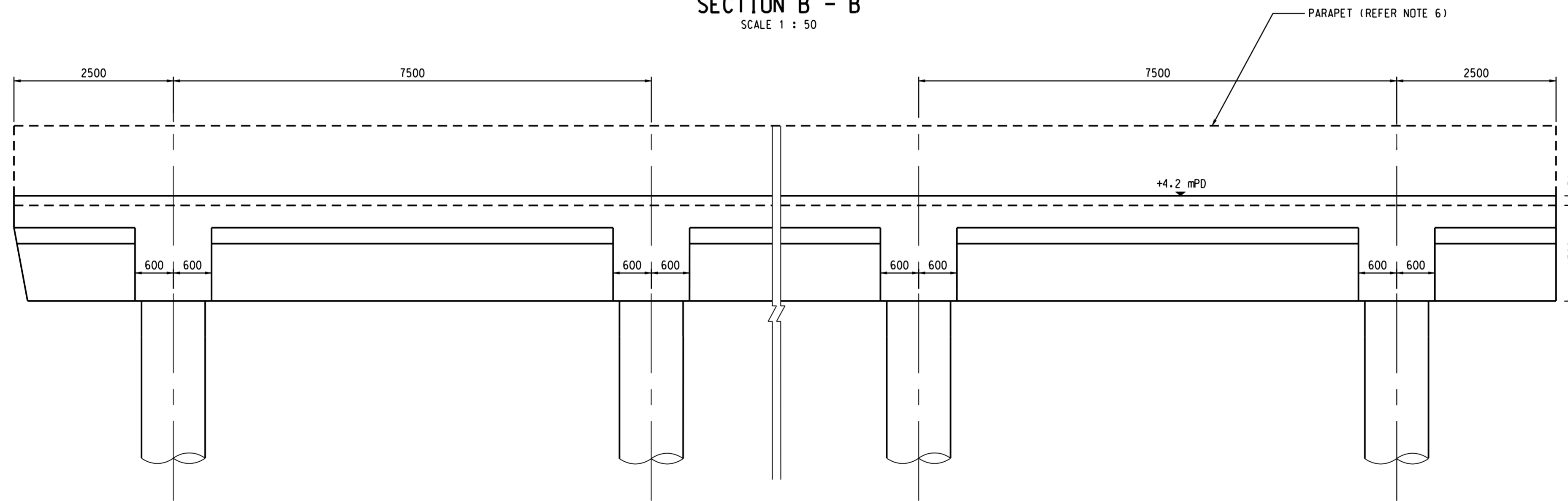


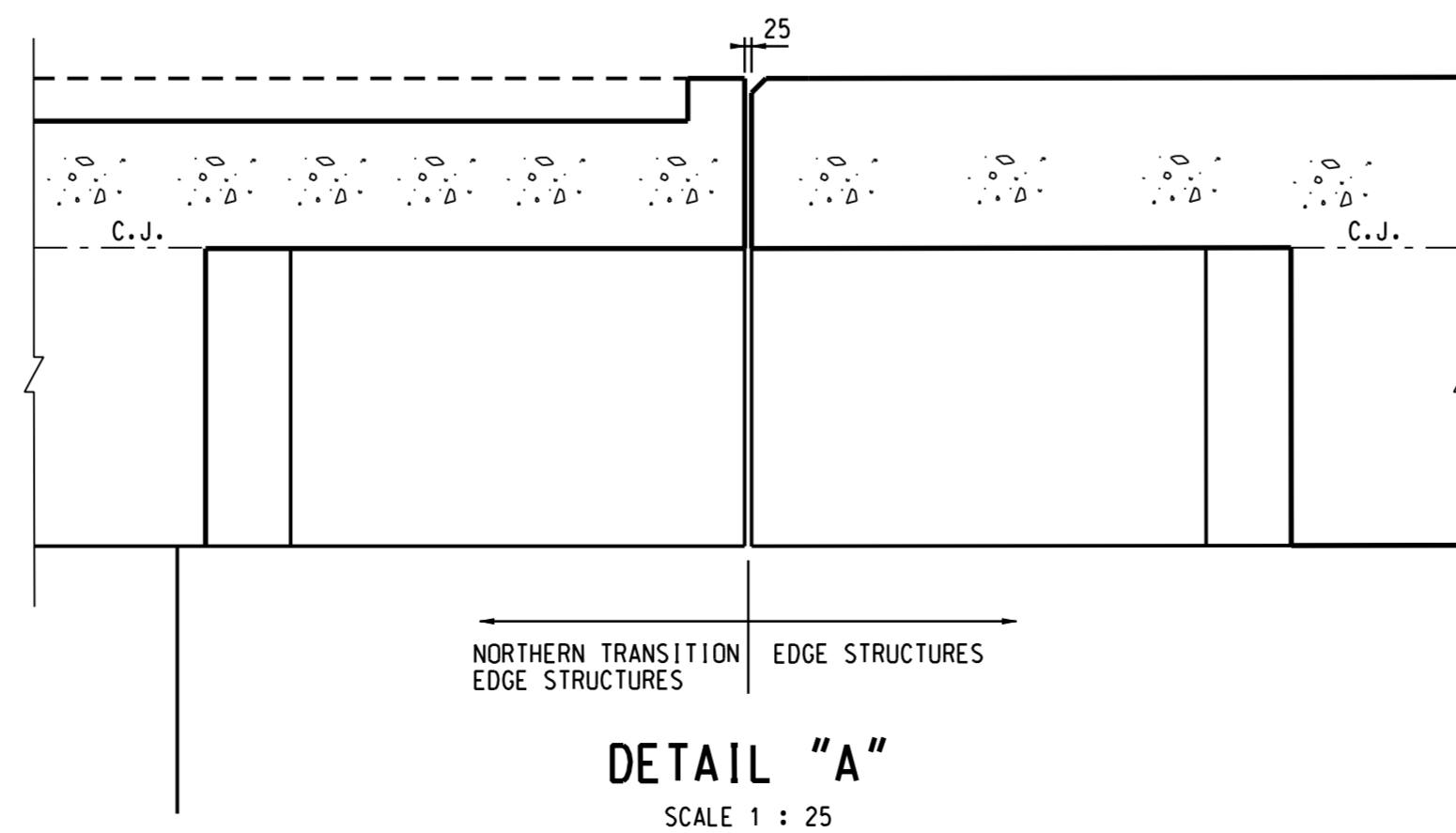
SECTION A - A
SCALE 1 : 50



SECTION B - B
SCALE 1 : 50



SECTION C - C
SCALE 1 : 50
(PARAPET NOT SHOWN FOR CLARIFY)



DETAIL "A"
SCALE 1 : 25

NOTES:

1. THIS DRAWING SHALL BE READ IN CONJUNCTION WITH DRG. NO. 531.
2. FOR GENERAL NOTES, REFER DRG. NO. 531.
3. PRECAST CONCRETE SLAB TO BE 300mm THICK WITH 150mm INSITU CONCRETE TOPPING.
4. SHEAR LINKS SHALL BE PROVIDED AT THE INTERFACE BETWEEN THE PRECAST CONCRETE SLAB AND THE INSITU CONCRETE TOPPING TO FORM A HOMOGENEOUS STRUCTURE.
5. FOR PRECAST SLAB AND BEAM INTERFACE DETAILS, REFER DRG. NO. 432.
6. PARAPET SHALL BE DESIGNED AND CONSTRUCTED TO THE SATISFACTION OF THE DIRECTOR OF LANDS.

LEGEND:

- C.J. - CONSTRUCTION JOINT

REV.	DESCRIPTION	BY	CHKD.	DATE

Civil Engineering and Development Department
KOWLOON DEVELOPMENT OFFICE



KAI TAK DEVELOPMENT
ENGINEERING STUDY CUM DESIGN AND
CONSTRUCTION OF ADVANCE WORKS - INVESTIGATION,
DESIGN AND CONSTRUCTION

SITE FORMATION CUM MARINE WORKS
NORTHERN TRANSITION EDGE STRUCTURES

QUAY - TYPICAL BEAM AND
SLAB SECTIONS

MAUNSELL | AECOM

Maunsell Consultants Asia Ltd.
茂盛(亞洲)工程顧問有限公司

DRG.NO. 534
圖紙編號

DESIGNED BY J.L. AGREEMENT NO. CE35/2006 (CE)
設計 合約編號

DRAWN BY FTW STATUS
繪圖 階段

SCALE 1:1 A1 AS SHOWN
尺寸單位 圖幅

DIMENSIONS ARE IN MILLIMETRES © COPYRIGHT RESERVED
版權所有