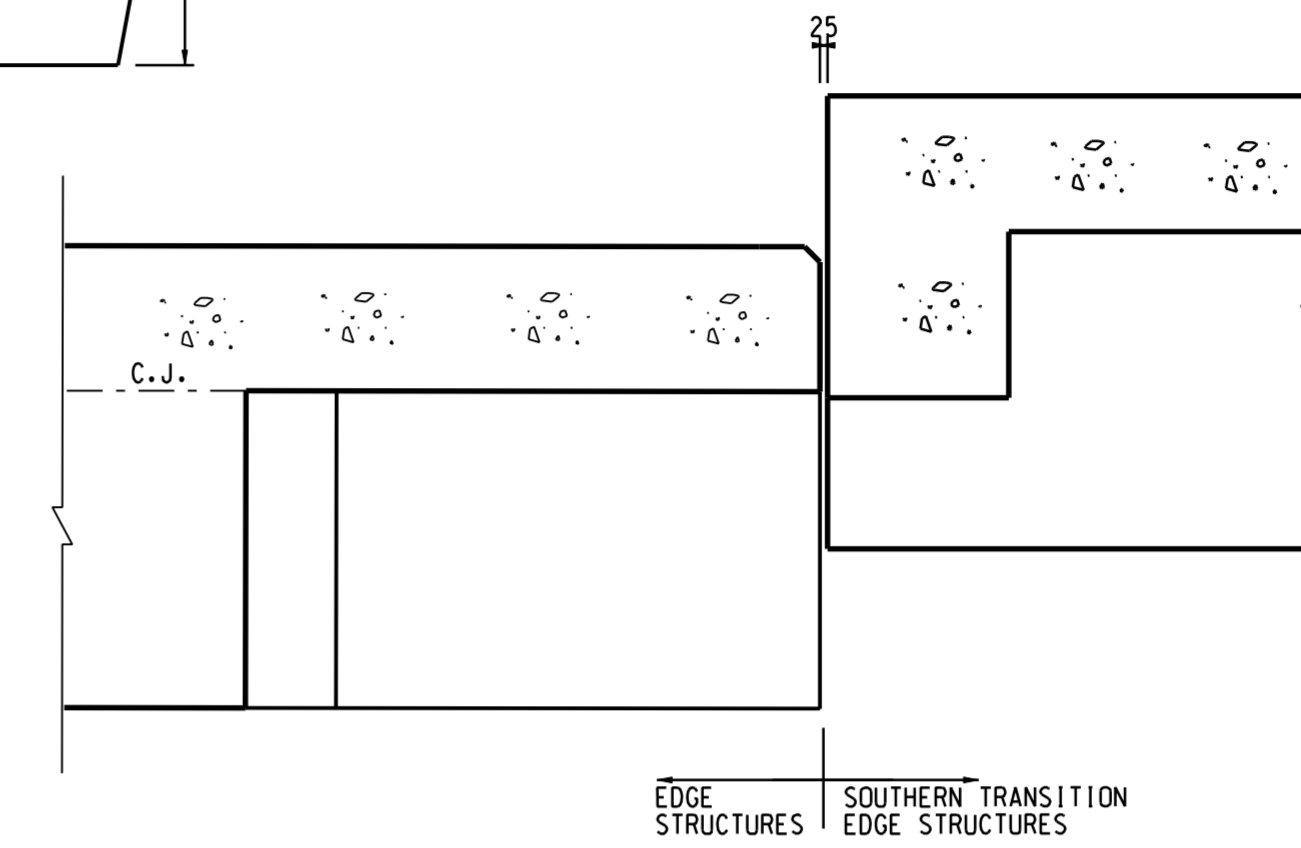
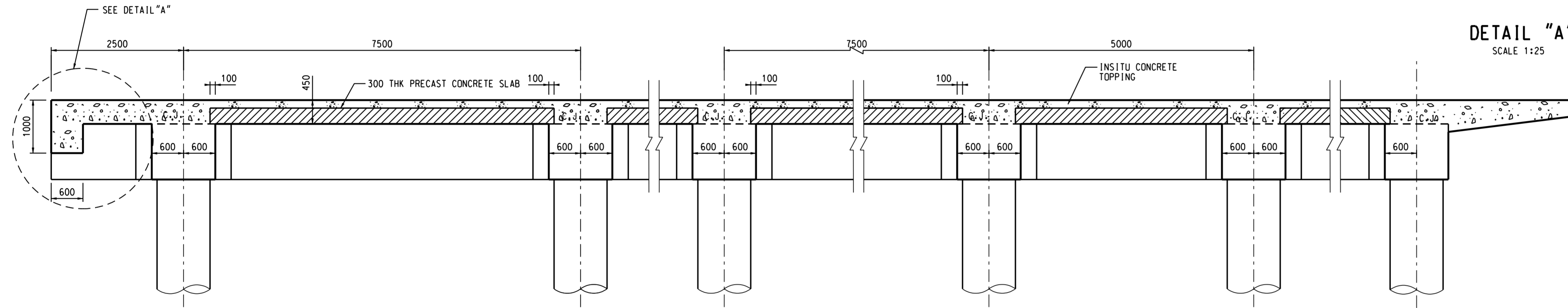


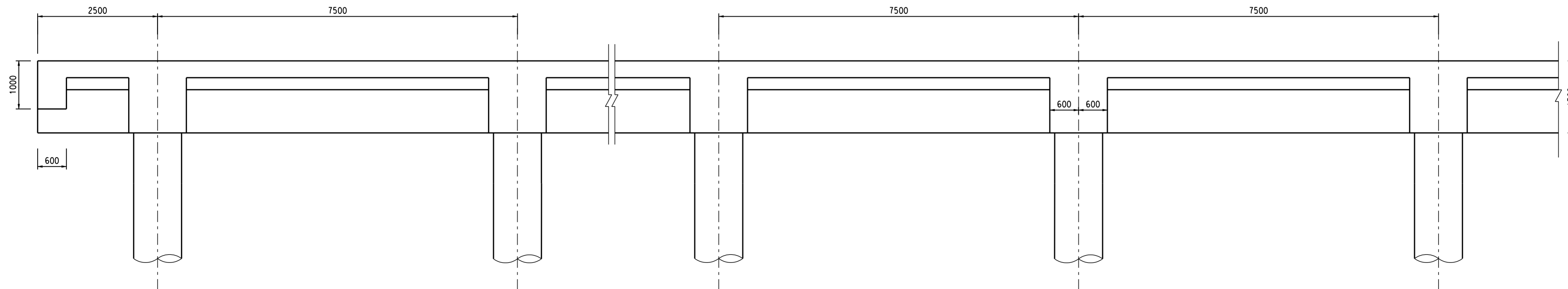
SECTION A - A
SCALE 1 : 50



DETAIL "A"
SCALE 1:25



SECTION B - B
SCALE 1 : 50



SECTION C - C
SCALE 1 : 50

NOTES:

1. THIS DRAWING SHALL BE READ IN CONJUNCTION WITH DRG. NO. 501.
2. FOR GENERAL NOTES, REFER DRG. NO. 501.
3. PRECAST CONCRETE SLAB TO BE 300mm THICK WITH 150mm INSITU CONCRETE TOPPING
4. SHEAR LINKS SHALL BE PROVIDED AT THE INTERFACE BETWEEN THE PRECAST CONCRETE SLAB AND THE INSITU CONCRETE TOPPING TO FORM A HOMOGENEOUS STRUCTURE.
5. FOR PRECAST SLAB AND BEAM INTERFACE DETAILS, REFER DRG. NO. 432.

LEGEND:

- C.J. - CONSTRUCTION JOINT

REV.	DESCRIPTION	BY	CHECKED	DATE

Civil Engineering and Development Department
KOWLOON DEVELOPMENT OFFICE



KAI TAK DEVELOPMENT
ENGINEERING STUDY CUM DESIGN AND
CONSTRUCTION OF ADVANCE WORKS-INVESTIGATION,
DESIGN AND CONSTRUCTION

SITE FORMATION CUM MARINE WORKS

SOUTHERN TRANSITION EDGE STRUCTURES
**QUAY - TYPICAL BEAM
AND SLAB SECTIONS**

MAUNSELL | AECOM

Maunsell Consultants Asia Ltd.
茂盛(亞洲)工程顧問有限公司

DRG.NO. 504
圖紙編號

DESIGNED BY J.L.
繪圖員

AGREEMENT NO. CE35/2006 (CE)
合約編號

STATUS 審核

SCALE 1:1 AS SHOWN
比例

DIMENSIONS ARE IN MILLIMETRES
尺寸單位

© COPYRIGHT RESERVED
版權所有