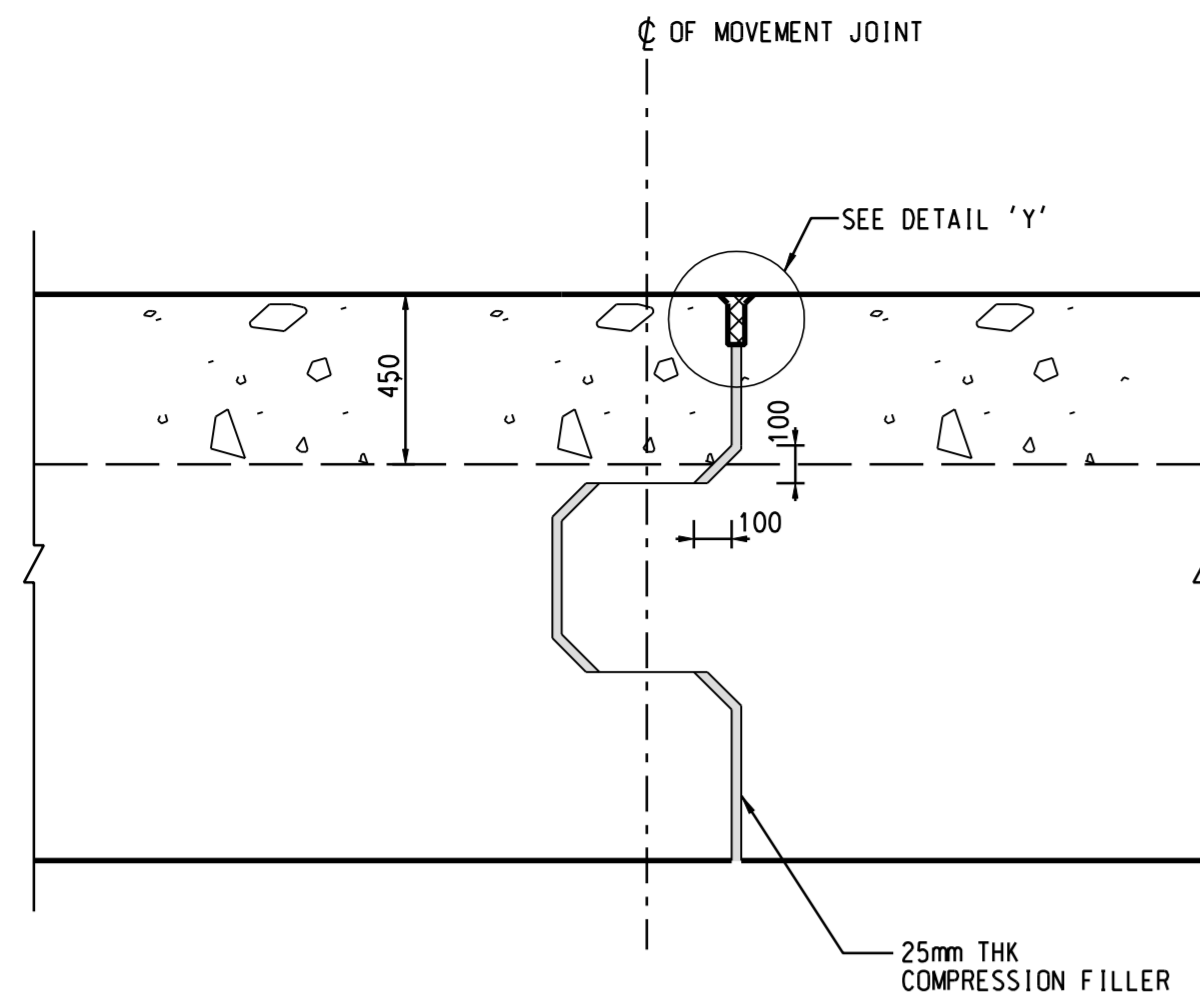
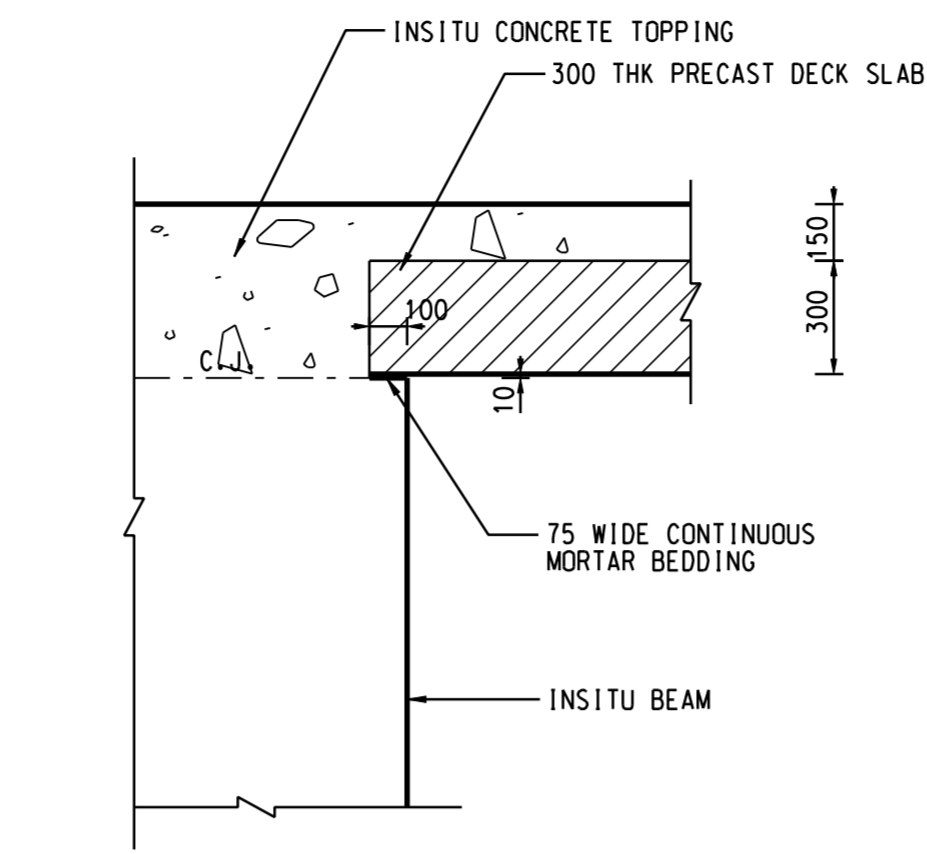


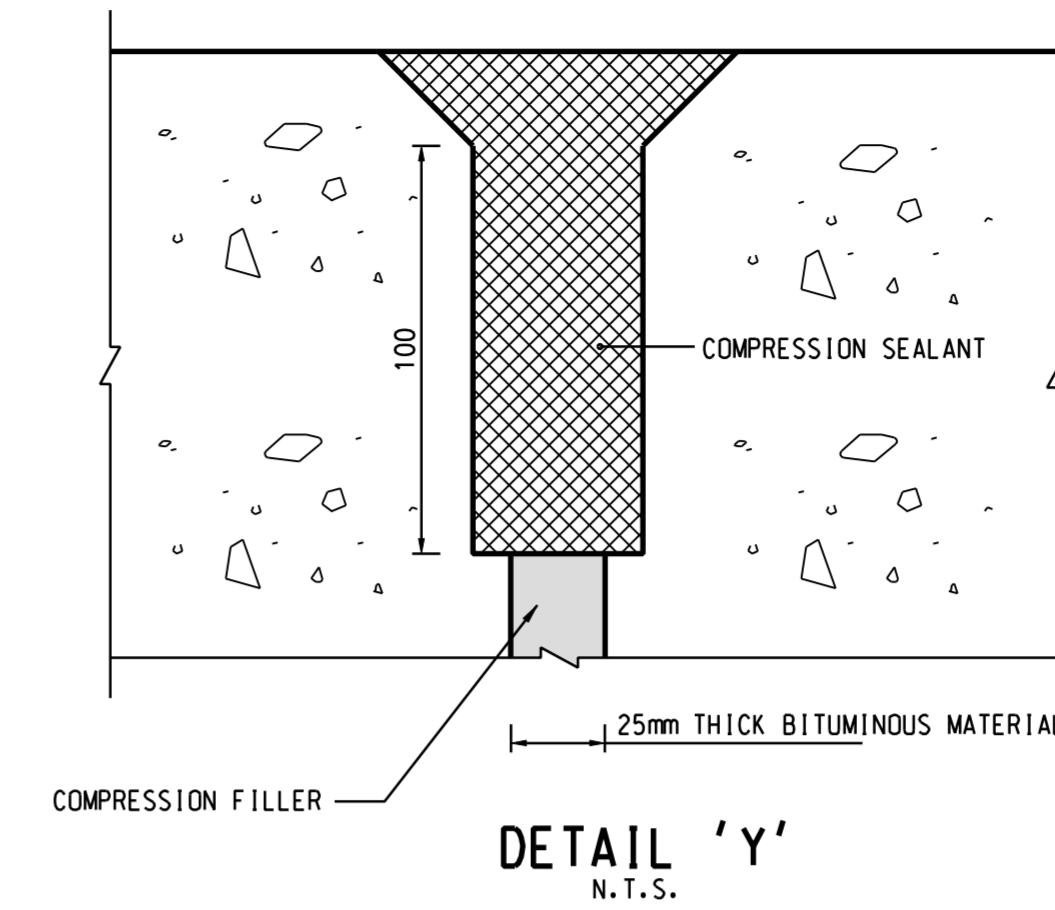
NOTE:
 1. THIS DRAWING SHALL BE READ IN CONJUNCTION WITH DRG. NO. 421 TO 426.



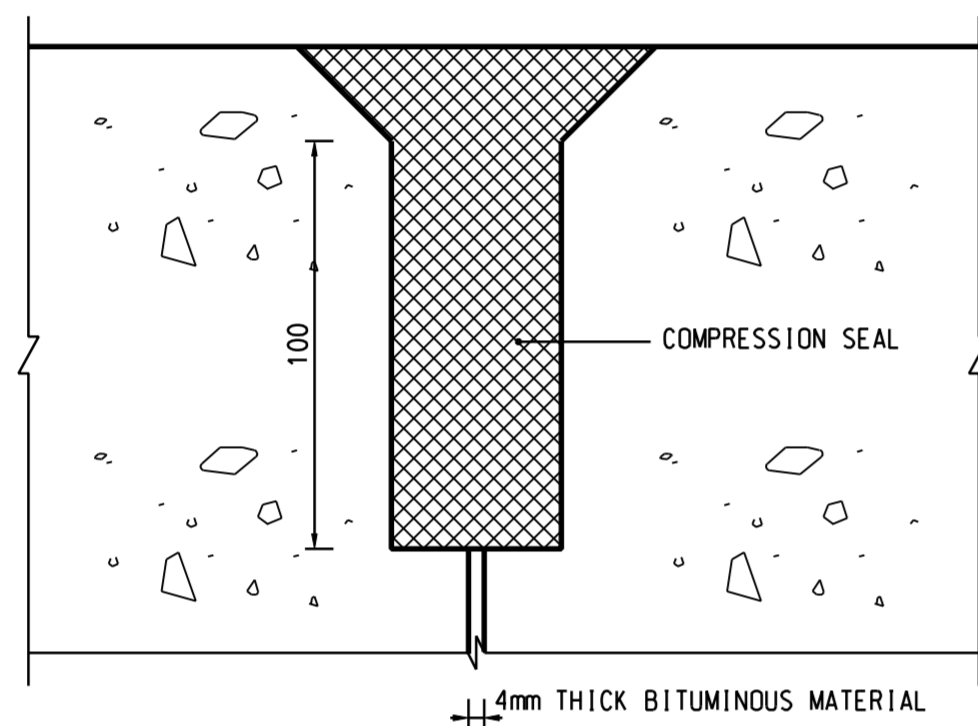
SECTION A - A
 SCALE 1 : 20



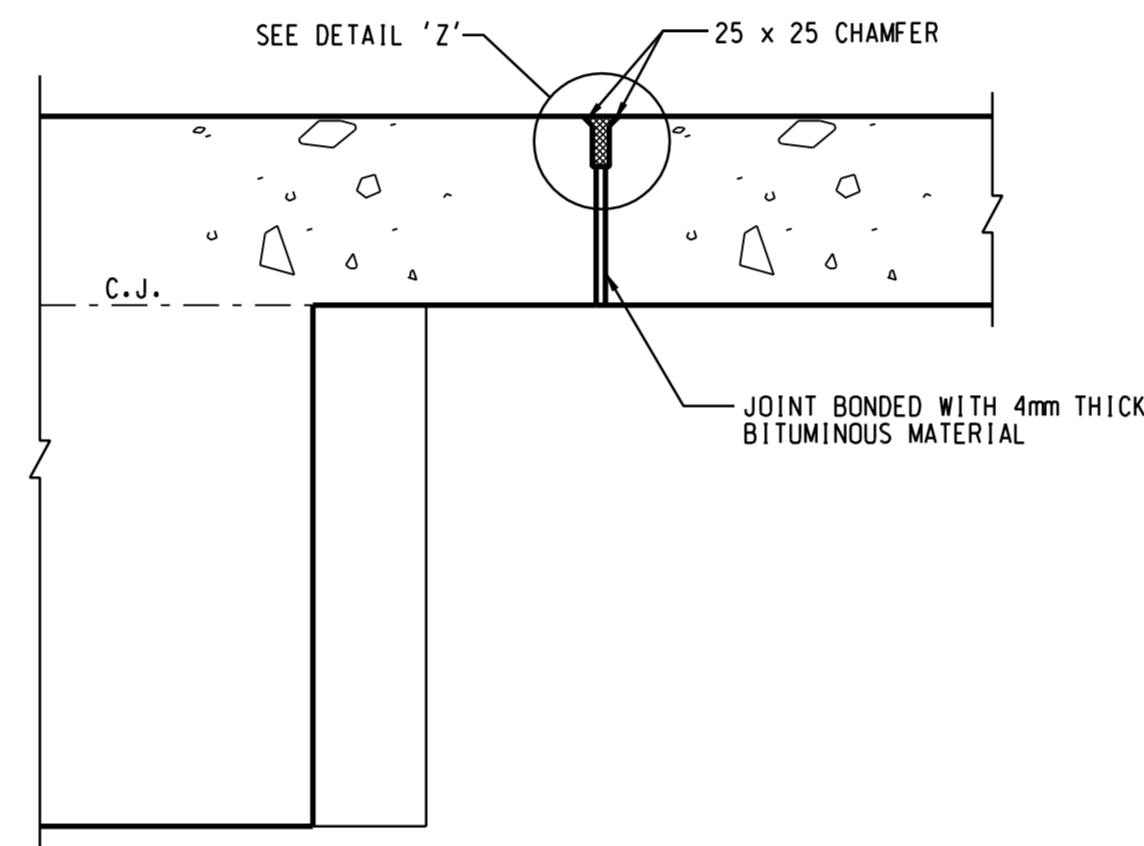
TYPICAL PRECAST SLAB AND BEAM INTERFACE DETAILS
 SCALE 1 : 20



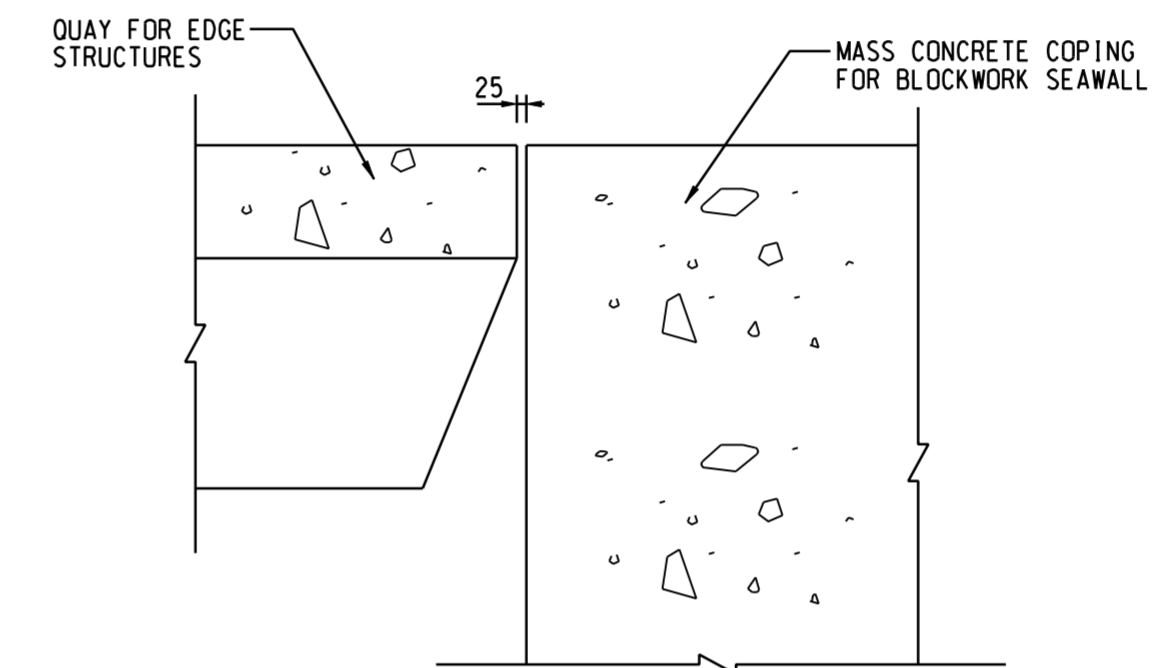
DETAIL 'Y'
 N.T.S.



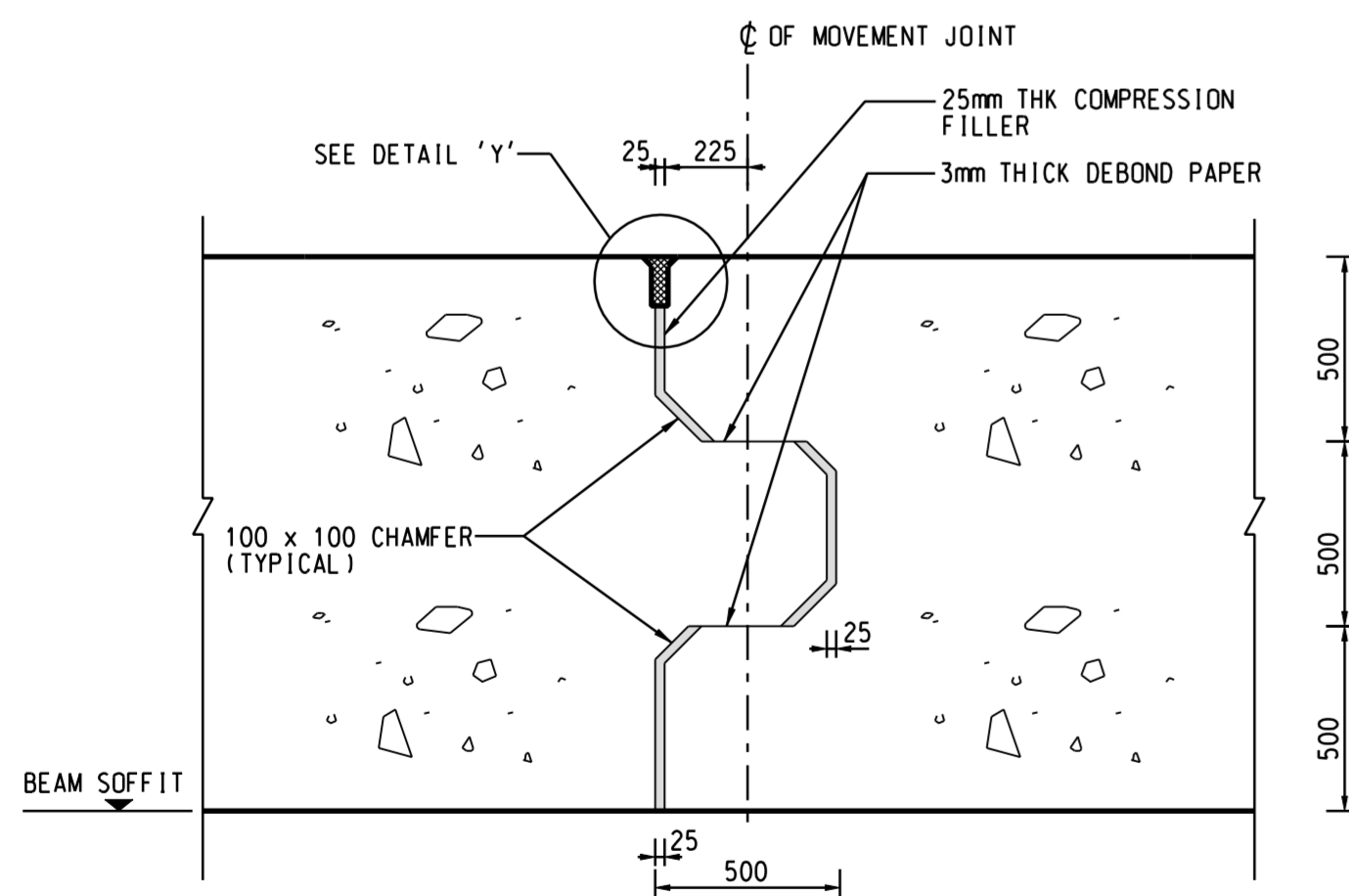
DETAIL 'Z'
 N.T.S.



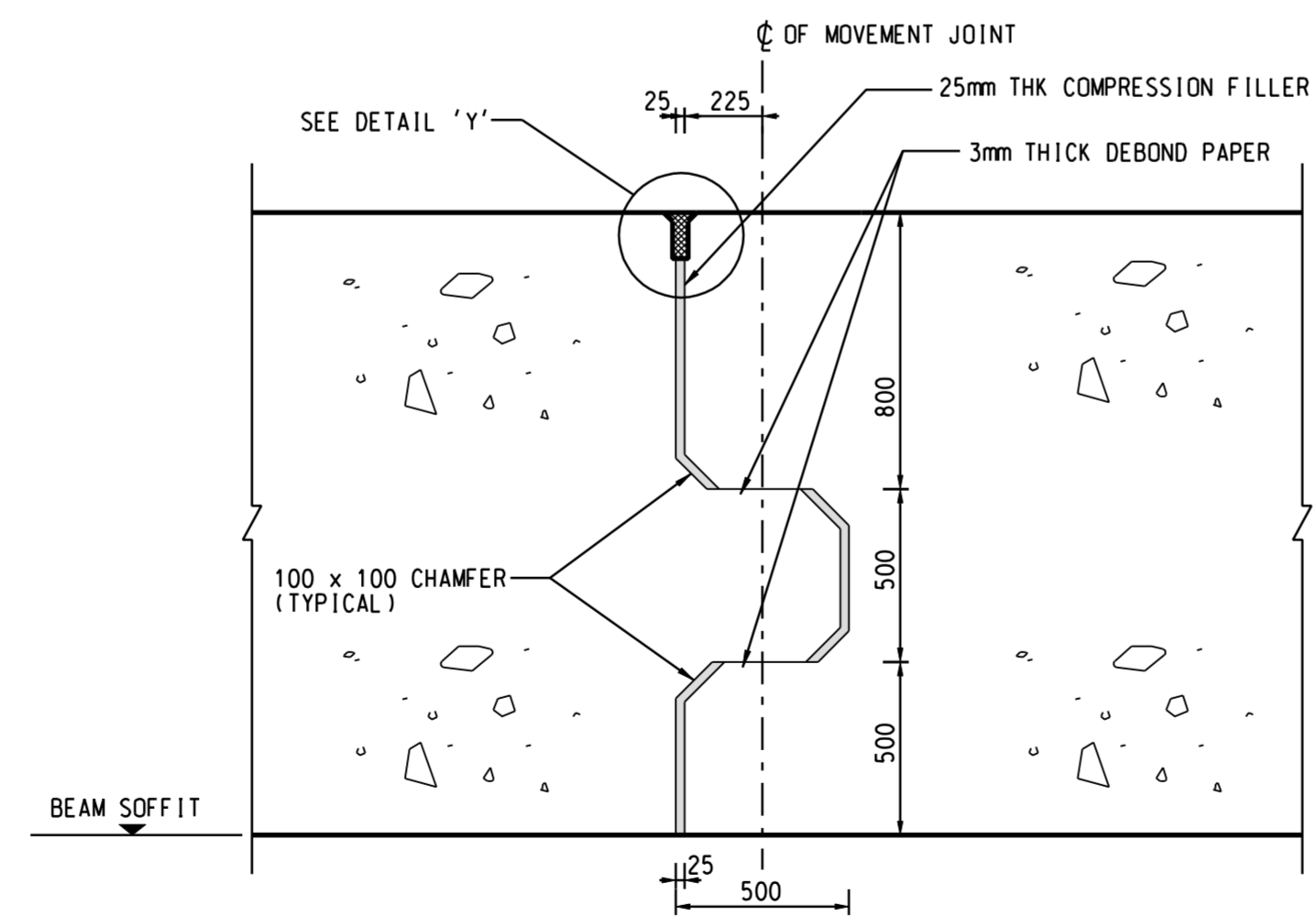
SECTION B - B
 SCALE 1 : 20



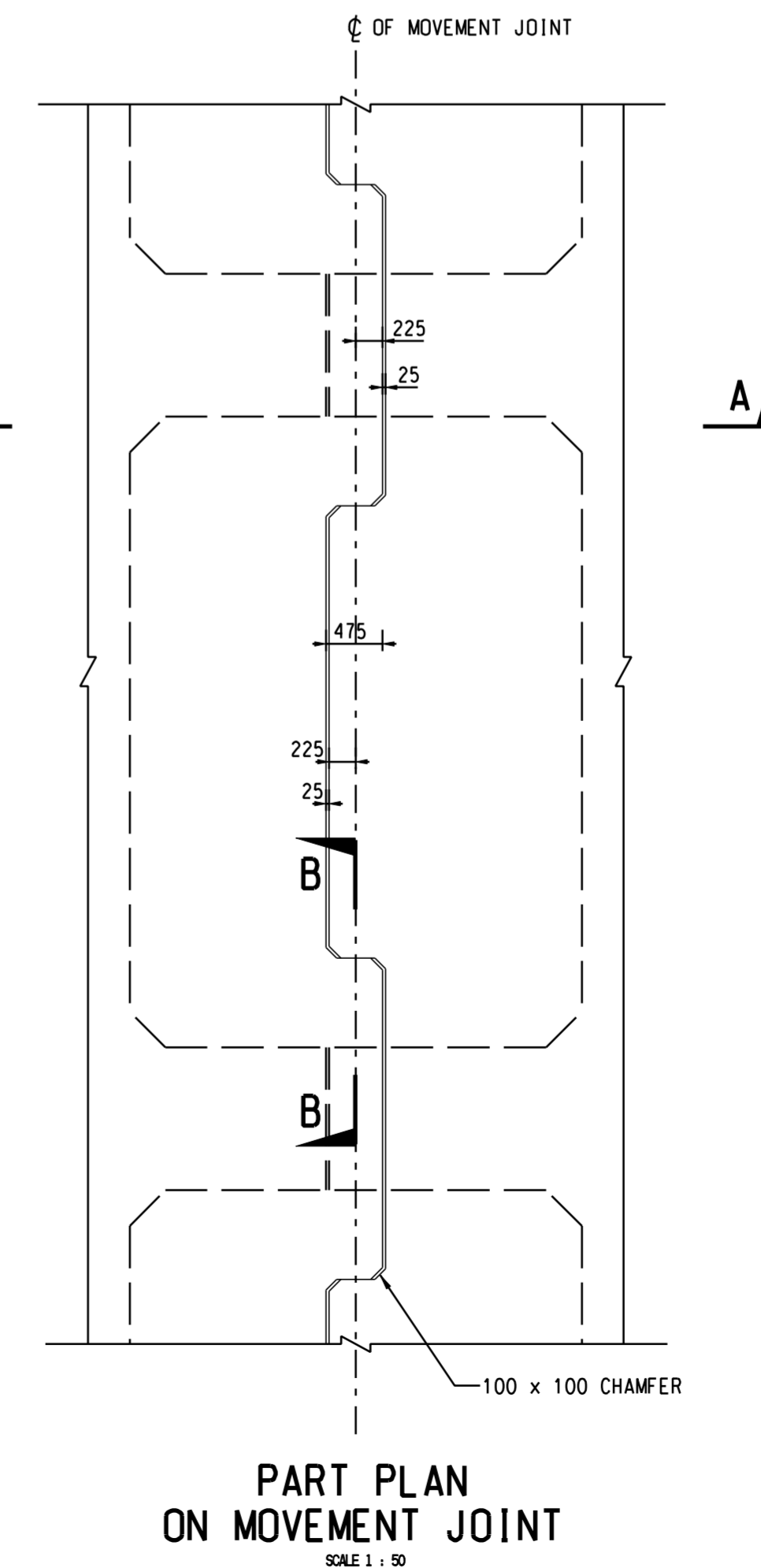
TYPICAL JOINT DETAILS BETWEEN THE QUAY FOR EDGE STRUCTURES AND THE BLOCKWORK SEAWALL
 N.T.S.



TYPICAL MOVEMENT JOINT DETAILS FOR INTERNAL LONGITUDINAL BEAMS AND LANDSIDE BEAMS
 SCALE 1 : 20



TYPICAL MOVEMENT JOINT DETAILS FOR SEASIDE BEAM
 SCALE 1 : 20



PART PLAN ON MOVEMENT JOINT
 SCALE 1 : 20

REV.	DESCRIPTION	BY	CHECKED	DATE
Civil Engineering and Development Department 土木工程發展署				
KOWLOON DEVELOPMENT OFFICE 九龍新發展處				
KAI TAK DEVELOPMENT ENGINEERING STUDY CUM DESIGN AND CONSTRUCTION OF ADVANCE WORKS-INVESTIGATION, DESIGN AND CONSTRUCTION				
SITE FORMATION CUM MARINE WORKS EDGE STRUCTURES				
QUAY - MISCELLANEOUS CONCRETE DETAILS				
MAUNSELL AECOM Maunsell Consultants Asia Ltd. 茂盛(亞洲)工程顧問有限公司				
DRG.NO. 圖紙編號		432		
DESIGNED BY 設計	J.L.	AGREEMENT NO. 合約編號	CE35/2006 (CE)	P. 017 - APPROVED 審核人
DRAWN BY 繪圖	T.H.	STATUS 備註		
SCALE 比例	A1 AS SHOWN			
DIMENSIONS ARE IN 尺寸單位		MILLIMETRES		
© COPYRIGHT RESERVED 版權所有				