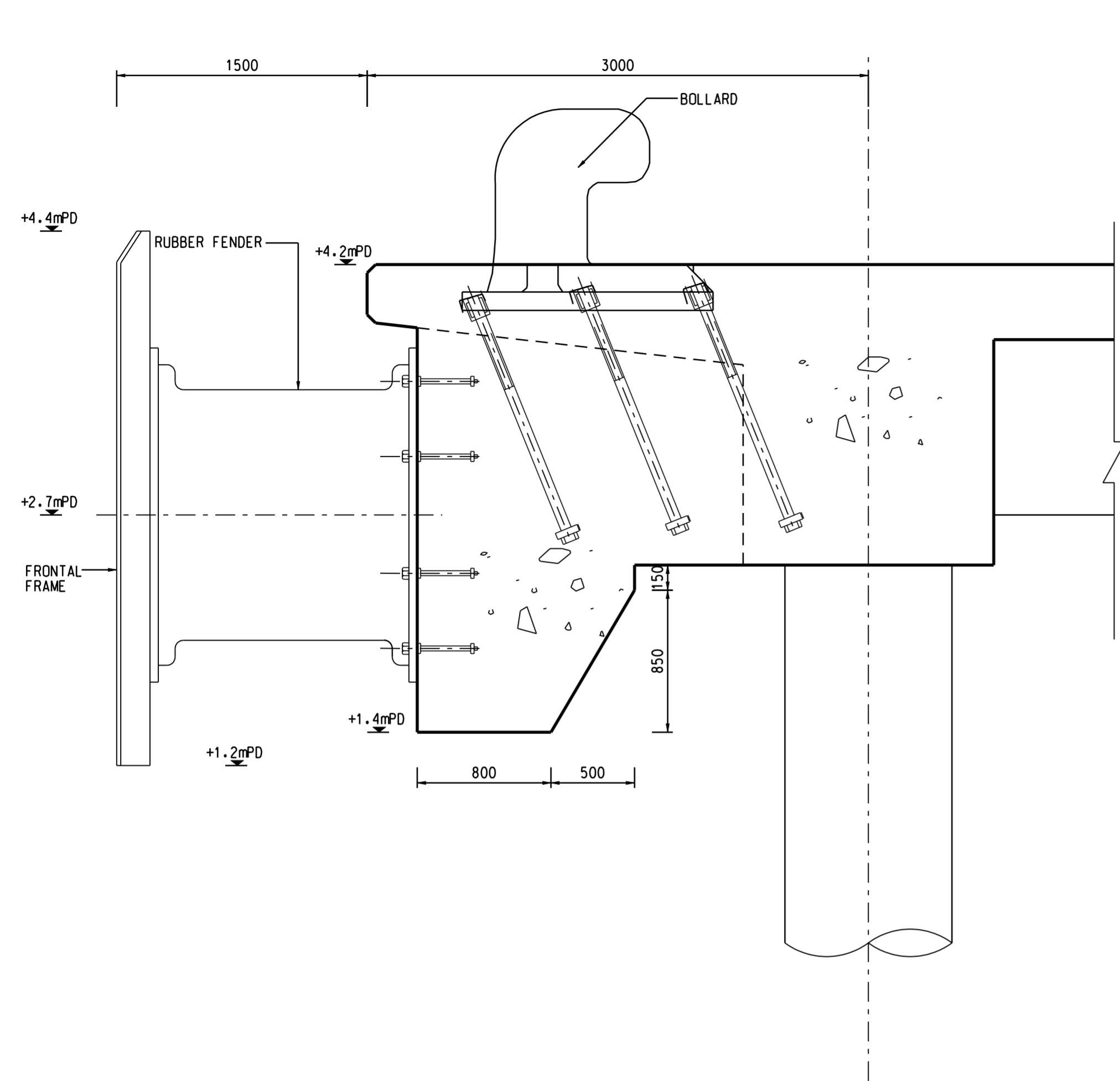
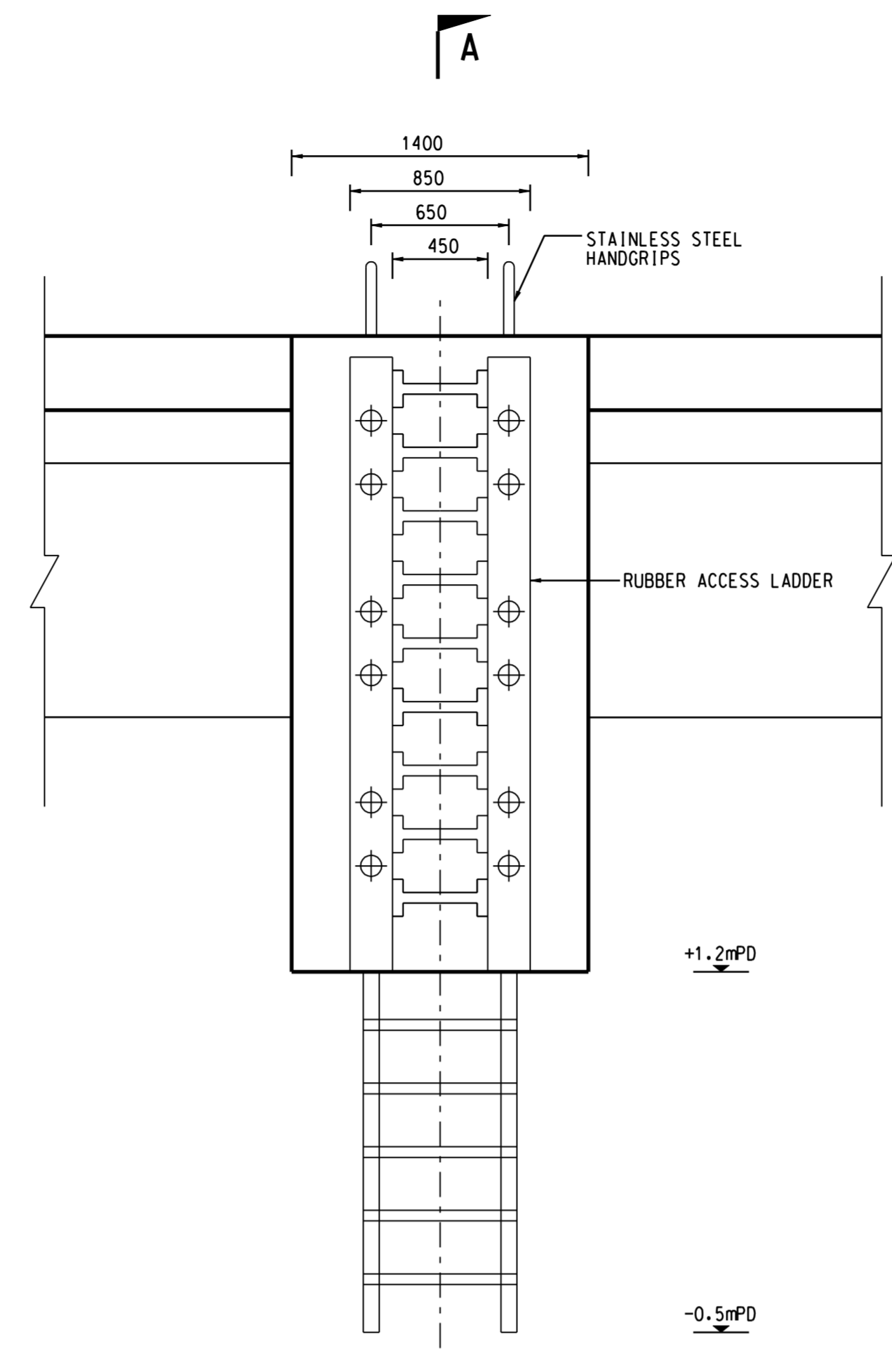


**NOTES:**

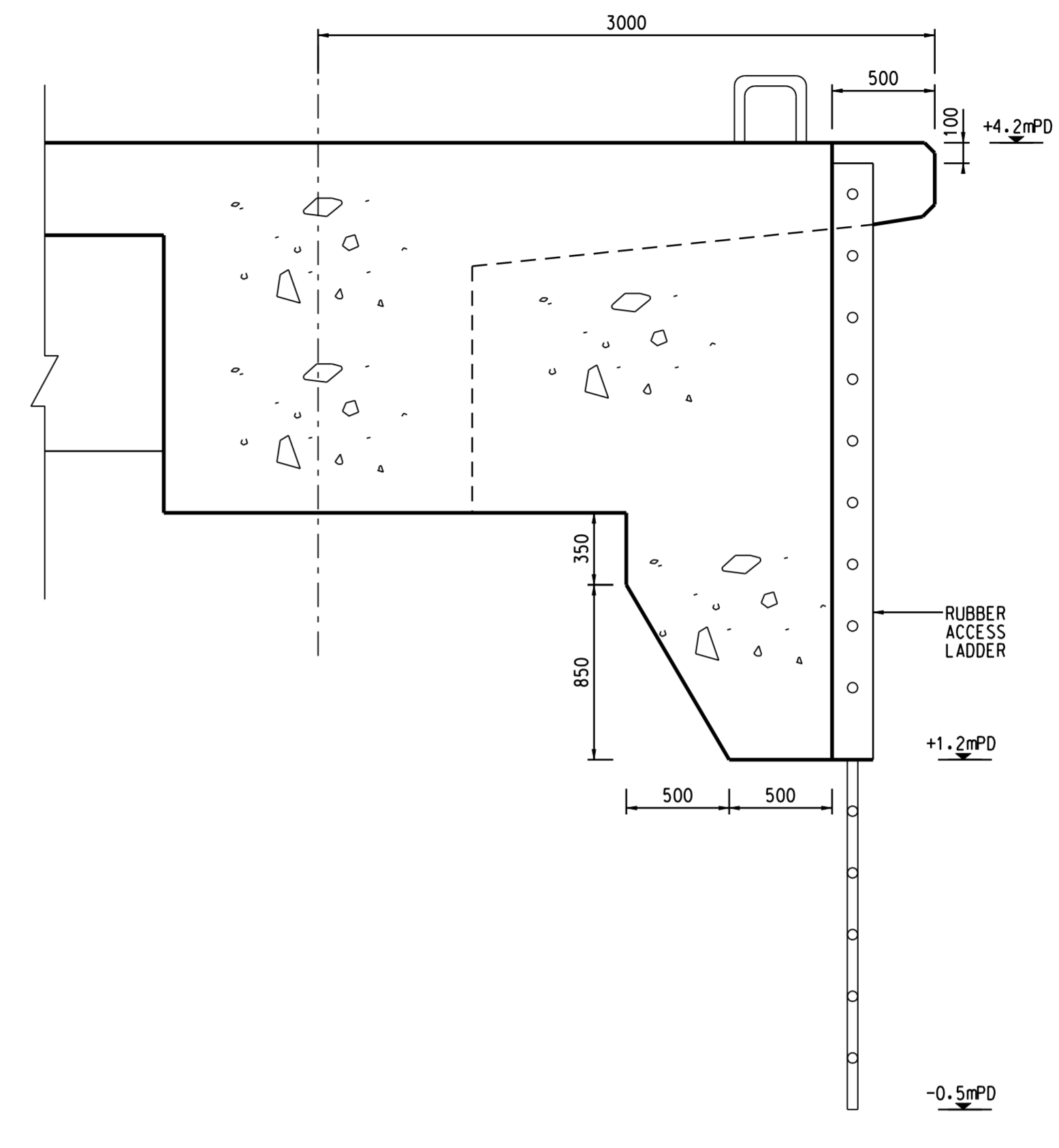
1. THIS DRAWING SHALL BE READ IN CONJUNCTION WITH DRG. NO. 421 TO 425.
2. FOR GENERAL NOTES, REFER DRG. NO. 401.
3. FOR LOCATION OF FENDER, BOLLARD AND ACCESS LADDER, REFER DRG. NO. 401.
4. ALL STEEL FIXING TO BE STAINLESS STEEL GRADE 316.



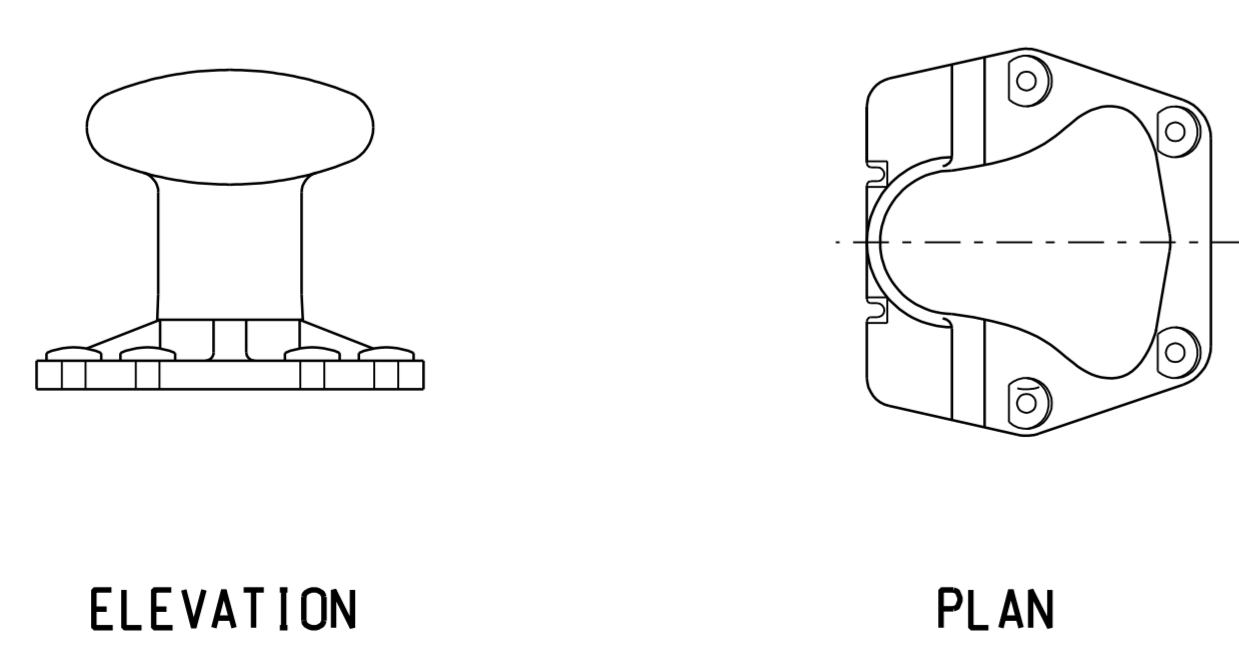
**TYPICAL FENDER BLOCK DETAILS**  
SCALE 1 : 25



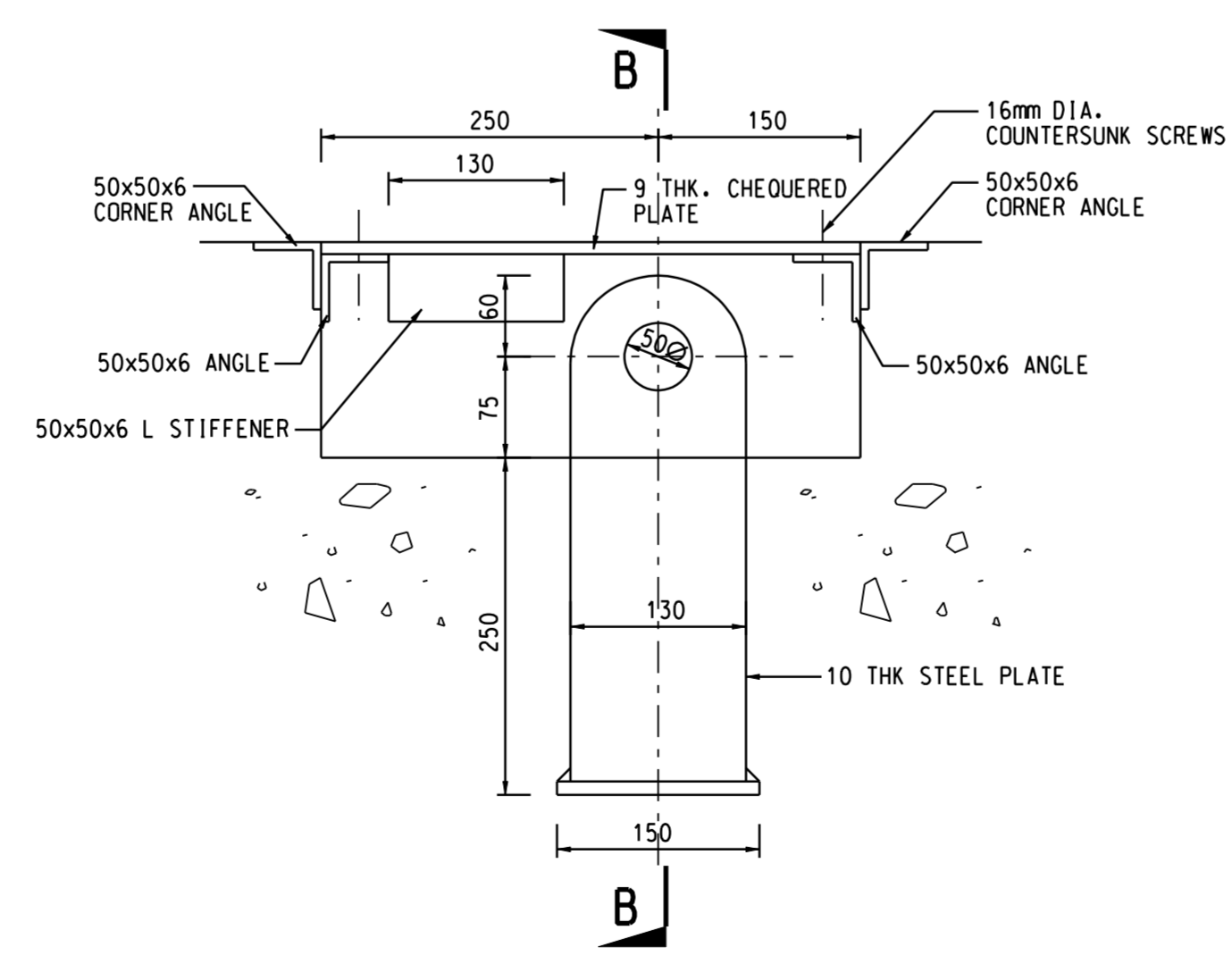
**TYPICAL RUBBER ACCESS LADDER DETAILS**  
SCALE 1 : 25



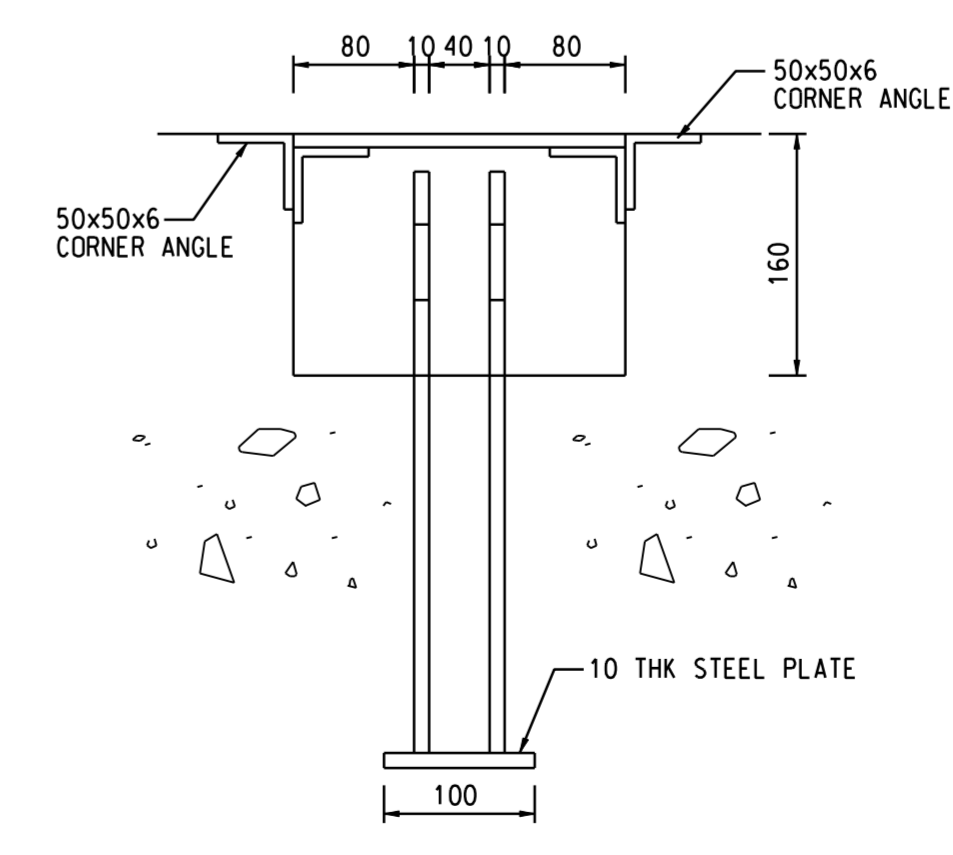
**SECTION A - A**  
SCALE 1 : 25



**TYPICAL BOLLARD DETAILS**  
N.T.S.



**TYPICAL TIE DOWN ANCHOR DETAILS**  
SCALE A1 1 : 5



**SECTION B - B**  
SCALE A1 1 : 5

REV.	DESCRIPTION	REV.	DATE

Civil Engineering and Development Department 土木工程發展處		CEDD
KOWLOON DEVELOPMENT OFFICE 九龍發展處		
KAI TAK DEVELOPMENT ENGINEERING STUDY CUM DESIGN AND CONSTRUCTION OF ADVANCE WORKS - INVESTIGATION, DESIGN AND CONSTRUCTION		
SITE FORMATION CUM MARINE WORKS		
EDGE STRUCTURES		
QUAY - TYPICAL FENDER, BOLLARD AND LADDER DETAILS		

DRG.NO. 431	
DESIGNED BY 設計 J.L.	APPROVED BY 校對 T.H.
AGREEMENT NO. 合約編號 CE35/2006 (CE)	P. 011 - APPROVED 負責人
STATUS 階段 	
DIMENSIONS ARE IN 尺寸單位 MILLIMETRES	
© COPYRIGHT RESERVED 版權所有	