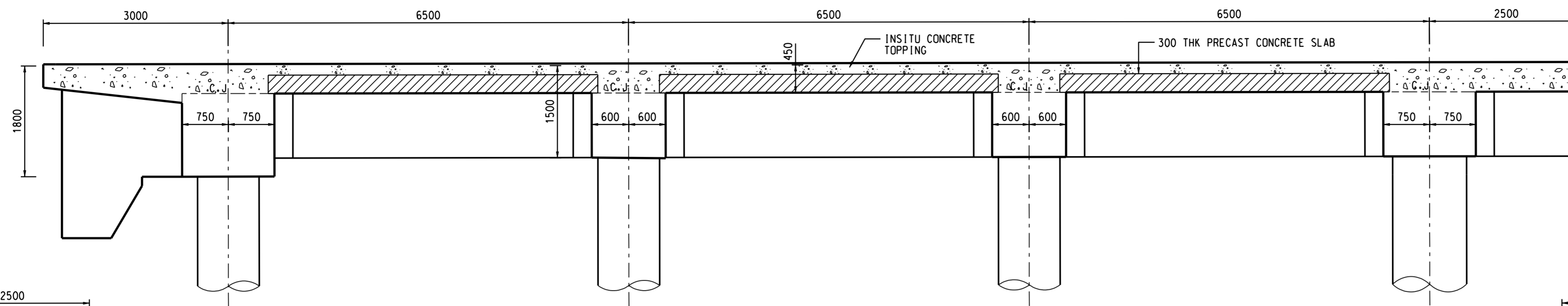


NOTES:

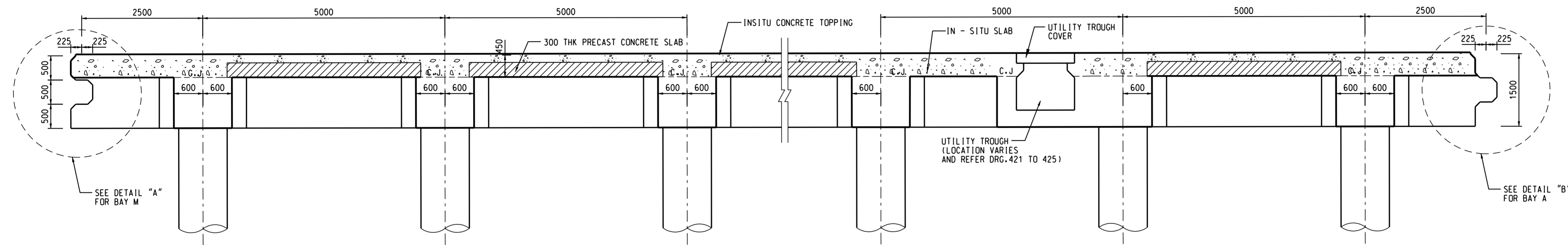
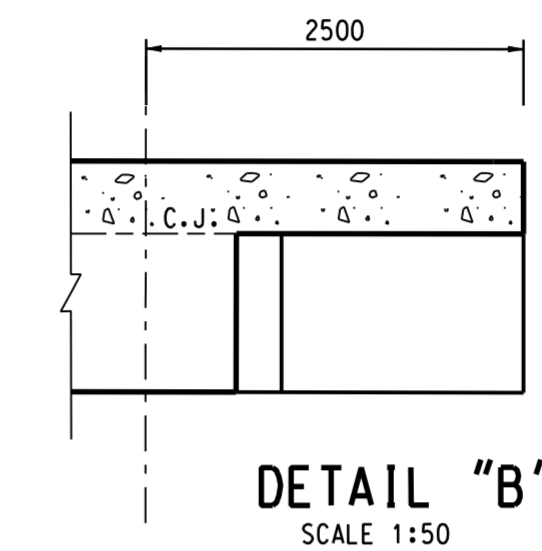
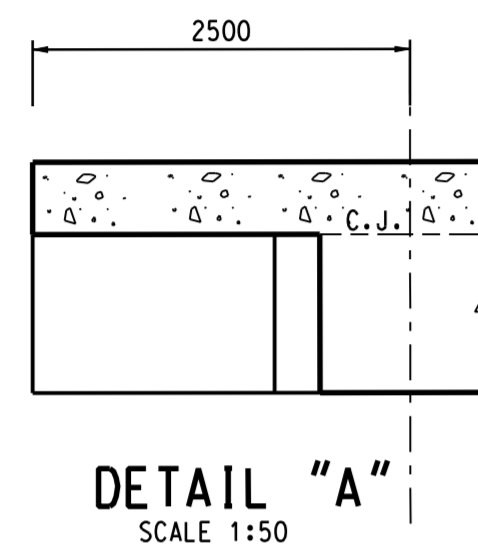
1. THIS DRAWING SHALL BE READ IN CONJUNCTION WITH DRG. NO. 421 TO 425.
2. FOR GENERAL NOTES, REFER DRG. NO. 401.
3. PRECAST CONCRETE SLAB TO BE 300mm THICK WITH 150mm INSITU CONCRETE TOPPING.
4. SHEAR LINKS SHALL BE PROVIDED AT THE INTERFACE BETWEEN THE PRECAST CONCRETE SLAB AND THE INSITU CONCRETE TOPPING TO FORM A HOMOGENEOUS STRUCTURE.
5. FOR PRECAST SLAB AND BEAM INTERFACE DETAILS, REFER DRG. NO. 432.

LEGEND:

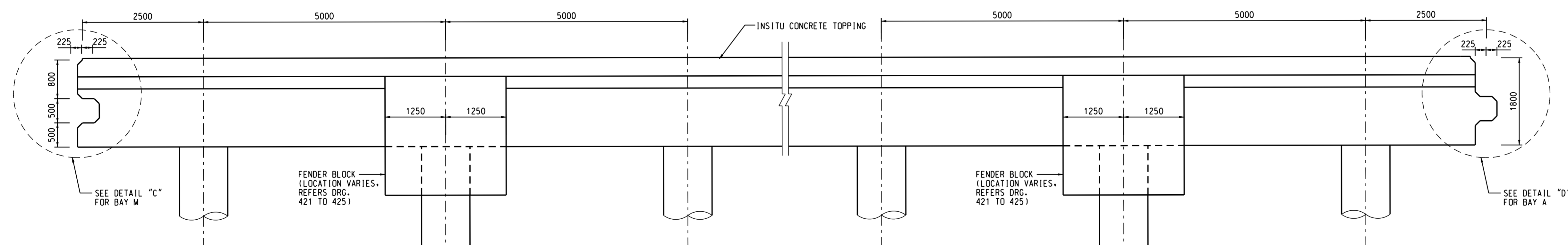
C.J. CONSTRUCTION JOINT



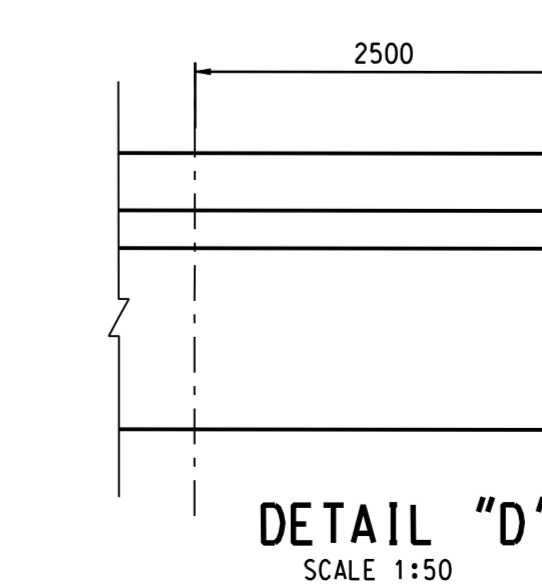
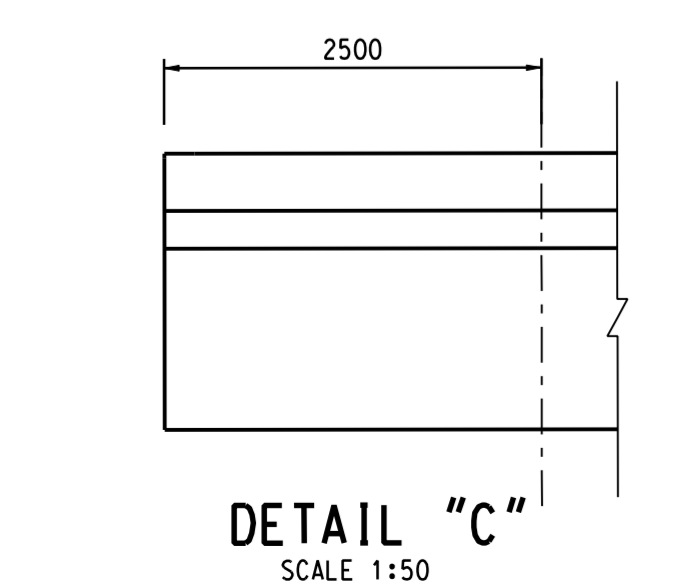
SECTION A - A
(FOR BAY B TO L, SIMILAR FOR BAY A AND M)
SCALE 1 : 50



SECTION B - B
(FOR BAY B TO L, SIMILAR FOR BAY A AND M)
SCALE 1 : 50



SECTION C - C
(FOR BAY B TO L, SIMILAR FOR BAY A AND M)
SCALE 1 : 50



REV.	DESCRIPTION	BY	CHECKED	DATE

Civil Engineering and Development Department
土木工務發展處
KOWLOON DEVELOPMENT OFFICE
九龍發展處



KAI TAK DEVELOPMENT
ENGINEERING STUDY CUM DESIGN AND
CONSTRUCTION OF ADVANCE WORKS - INVESTIGATION,
DESIGN AND CONSTRUCTION

SITE FORMATION CUM MARINE WORKS
EDGE STRUCTURES
**QUAY - TYPICAL BEAM AND
SLAB SECTIONS**

MAUNSELL | AECOM
Maunsell Consultants Asia Ltd.
茂盛(亞洲)工程顧問有限公司

DRG. NO. 426
圖紙編號

DESIGNED BY J.L.
繪圖
AGREEMENT NO. CE35/2006 (CE)
合約編號
P. 01+ APPROVED
審核人

SCALE 1:1 AS SHOWN
比例
STATUS 有效
DRAWN BY J.J.
繪圖

DIMENSIONS ARE IN MILLIMETRES
尺寸單位
© COPYRIGHT RESERVED
版權所有